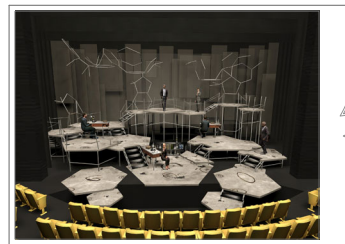
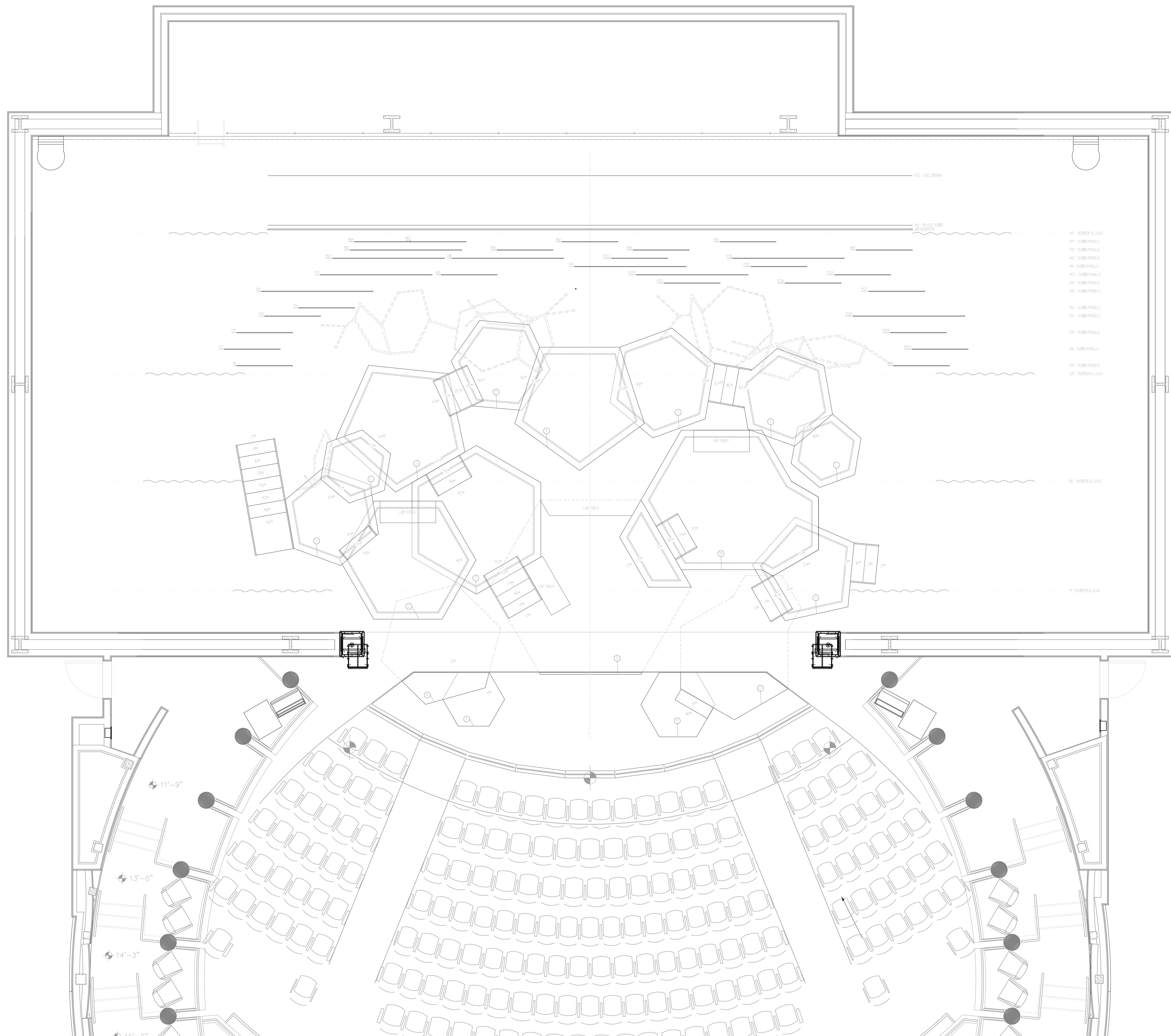
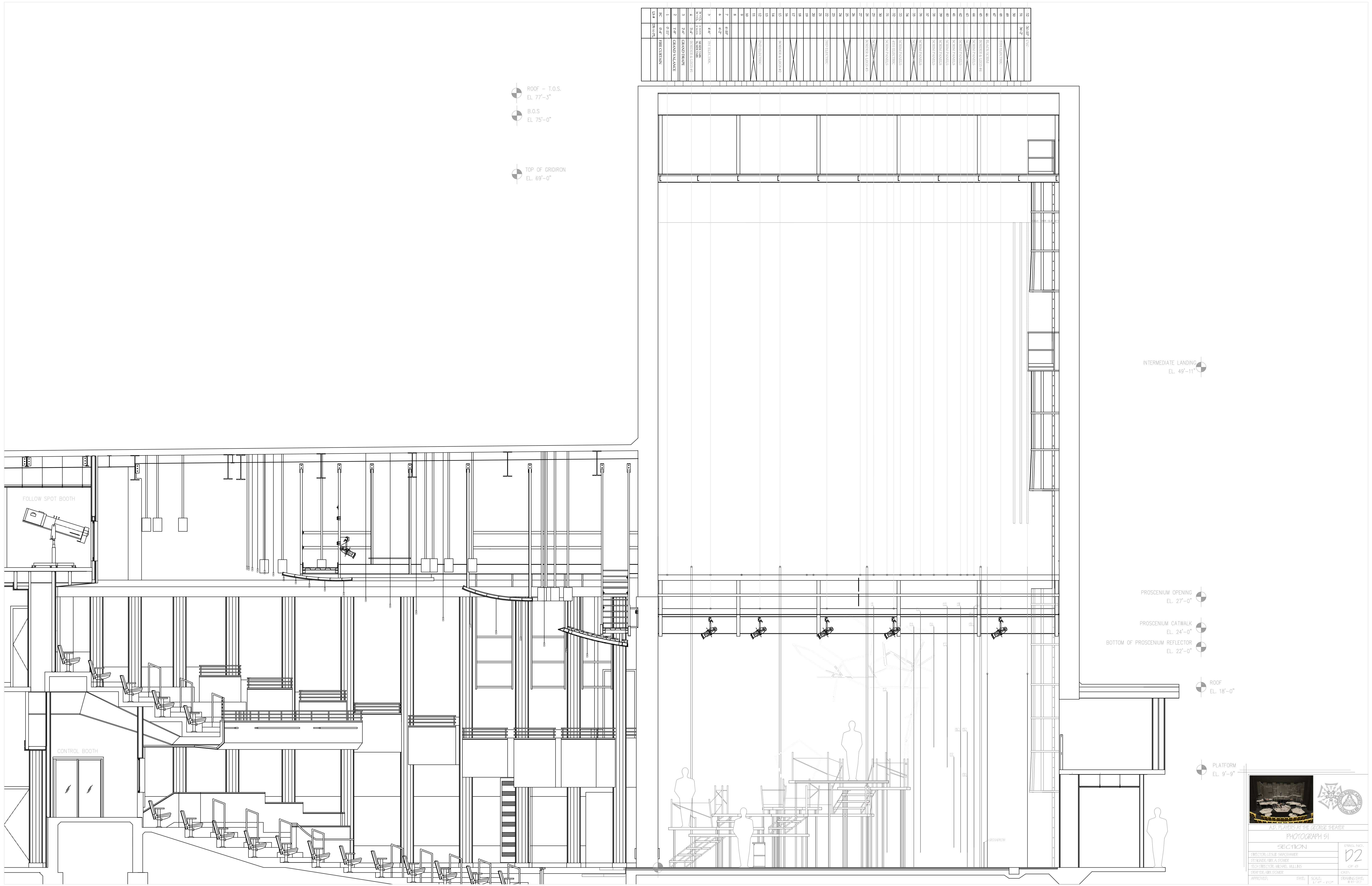


52	36-10"	CYC
51	36-2"	
50		
49		
48		3TH ELECTRIC
47		
46		BLACK SCRM
45		BORDER & LEGS #4
44		SCRM PANELS
43		SCRM PANELS
42		SCRM PANELS
41		SCRM PANELS
40		SCRM PANELS
39		SCRM PANELS
38		SCRM PANELS
37		SCRM PANELS
36		SCRM PANELS
35		SCRM PANELS
34		SCRM PANELS
33		SCRM PANELS
32		4TH ELECTRIC
31		SCRM PANELS
30		SCRM PANELS
29		SCRM PANELS
28		BORDER & LEGS #3
27		
26		
25		
24		
23		
22		
21		
20		
19		
18		
17		
16		
15		BORDER & LEGS #1
14		
13		
12		2ND ELECTRIC
11		
10		
9		
8		
7	0-10"	
6	0-2"	
5	4-6"	
4	3-4"	BORDER & LEGS #1
3	2-6"	GRAND DRAPE
2	1-8"	GRAND VALANCE
1	0-11"	
1C	0-4"	3RD CURTAIN
1S #	0-6 to 0L	



A.S. PLANNED AT THE GEORGE THEATER	
PHOTOGRAPH 51	
GROUND PLAN	
DIRECTOR: LESLIE SANDHAMMER	DATE: 01-25
DESIGNER: KRY A. POWER	SCALE: 1/4" = 1'-0"
PROFESSOR: MICHAEL WALLING	DRAWING DATE: 01-25-20
APPROVED: _____	DATE: _____



12	3'-0"	STC
11	3'-0"	STC
10	3'-0"	STC
9	3'-0"	STC
8	3'-0"	STC
7	3'-0"	STC
6	3'-0"	STC
5	3'-0"	STC
4	3'-0"	STC
3	3'-0"	STC
2	3'-0"	STC
1	3'-0"	STC
0	3'-0"	STC
1	3'-0"	STC
2	3'-0"	STC
3	3'-0"	STC
4	3'-0"	STC
5	3'-0"	STC
6	3'-0"	STC
7	3'-0"	STC
8	3'-0"	STC
9	3'-0"	STC
10	3'-0"	STC
11	3'-0"	STC
12	3'-0"	STC
13	3'-0"	STC
14	3'-0"	STC
15	3'-0"	STC
16	3'-0"	STC
17	3'-0"	STC
18	3'-0"	STC
19	3'-0"	STC
20	3'-0"	STC
21	3'-0"	STC
22	3'-0"	STC
23	3'-0"	STC
24	3'-0"	STC
25	3'-0"	STC
26	3'-0"	STC
27	3'-0"	STC
28	3'-0"	STC
29	3'-0"	STC
30	3'-0"	STC
31	3'-0"	STC
32	3'-0"	STC
33	3'-0"	STC
34	3'-0"	STC
35	3'-0"	STC
36	3'-0"	STC
37	3'-0"	STC
38	3'-0"	STC
39	3'-0"	STC
40	3'-0"	STC
41	3'-0"	STC
42	3'-0"	STC
43	3'-0"	STC
44	3'-0"	STC
45	3'-0"	STC
46	3'-0"	STC
47	3'-0"	STC
48	3'-0"	STC
49	3'-0"	STC
50	3'-0"	STC
51	3'-0"	STC
52	3'-0"	STC
53	3'-0"	STC
54	3'-0"	STC
55	3'-0"	STC
56	3'-0"	STC
57	3'-0"	STC
58	3'-0"	STC
59	3'-0"	STC
60	3'-0"	STC
61	3'-0"	STC
62	3'-0"	STC
63	3'-0"	STC
64	3'-0"	STC
65	3'-0"	STC
66	3'-0"	STC
67	3'-0"	STC
68	3'-0"	STC
69	3'-0"	STC
70	3'-0"	STC
71	3'-0"	STC
72	3'-0"	STC
73	3'-0"	STC
74	3'-0"	STC
75	3'-0"	STC
76	3'-0"	STC
77	3'-0"	STC
78	3'-0"	STC
79	3'-0"	STC
80	3'-0"	STC
81	3'-0"	STC
82	3'-0"	STC
83	3'-0"	STC
84	3'-0"	STC
85	3'-0"	STC
86	3'-0"	STC
87	3'-0"	STC
88	3'-0"	STC
89	3'-0"	STC
90	3'-0"	STC
91	3'-0"	STC
92	3'-0"	STC
93	3'-0"	STC
94	3'-0"	STC
95	3'-0"	STC
96	3'-0"	STC
97	3'-0"	STC
98	3'-0"	STC
99	3'-0"	STC
100	3'-0"	STC

ROOF - T.O.S.
EL. 77'-3"

B.O.S.
EL. 75'-0"

TOP OF GRIDIRON
EL. 69'-0"

INTERMEDIATE LANDING
EL. 49'-11"

PROSCENIUM OPENING
EL. 27'-0"

PROSCENIUM CATWALK
EL. 24'-0"

BOTTOM OF PROSCENIUM REFLECTOR
EL. 22'-0"

ROOF
EL. 18'-0"

PLATFORM
EL. 9'-9"



ALL PLAYS SET AT THE GEORGE THEATER

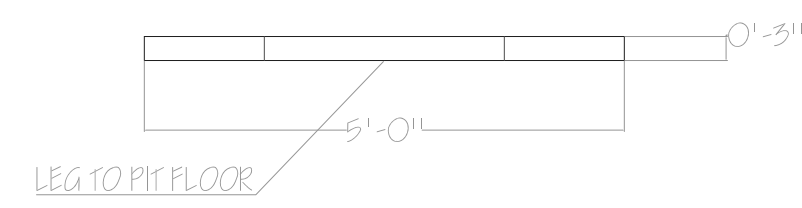
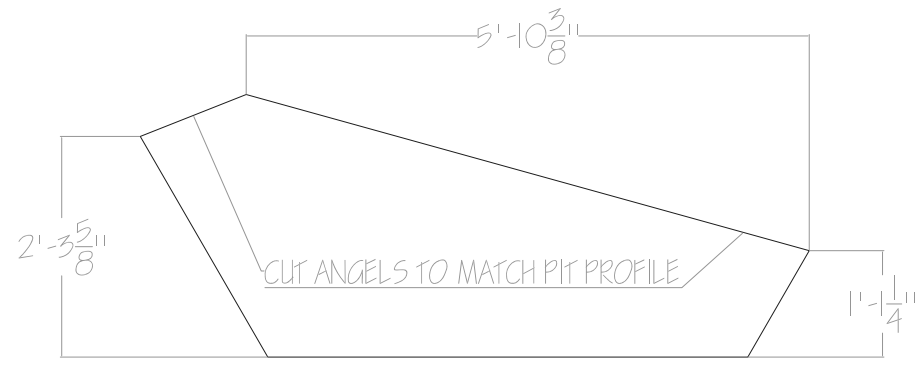
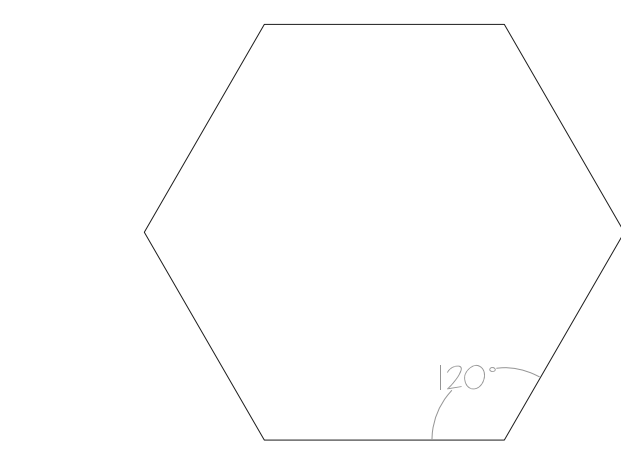
PHOTOGRAPH 51

SECTION

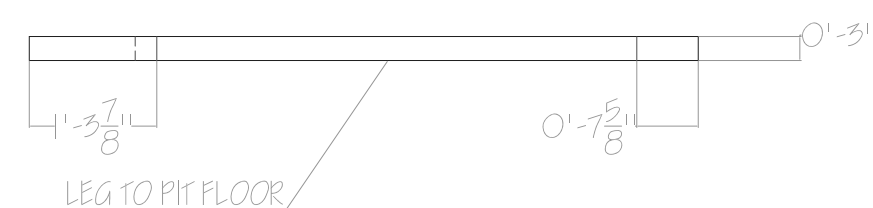
DRAWN: NAO

DATE: 07/25

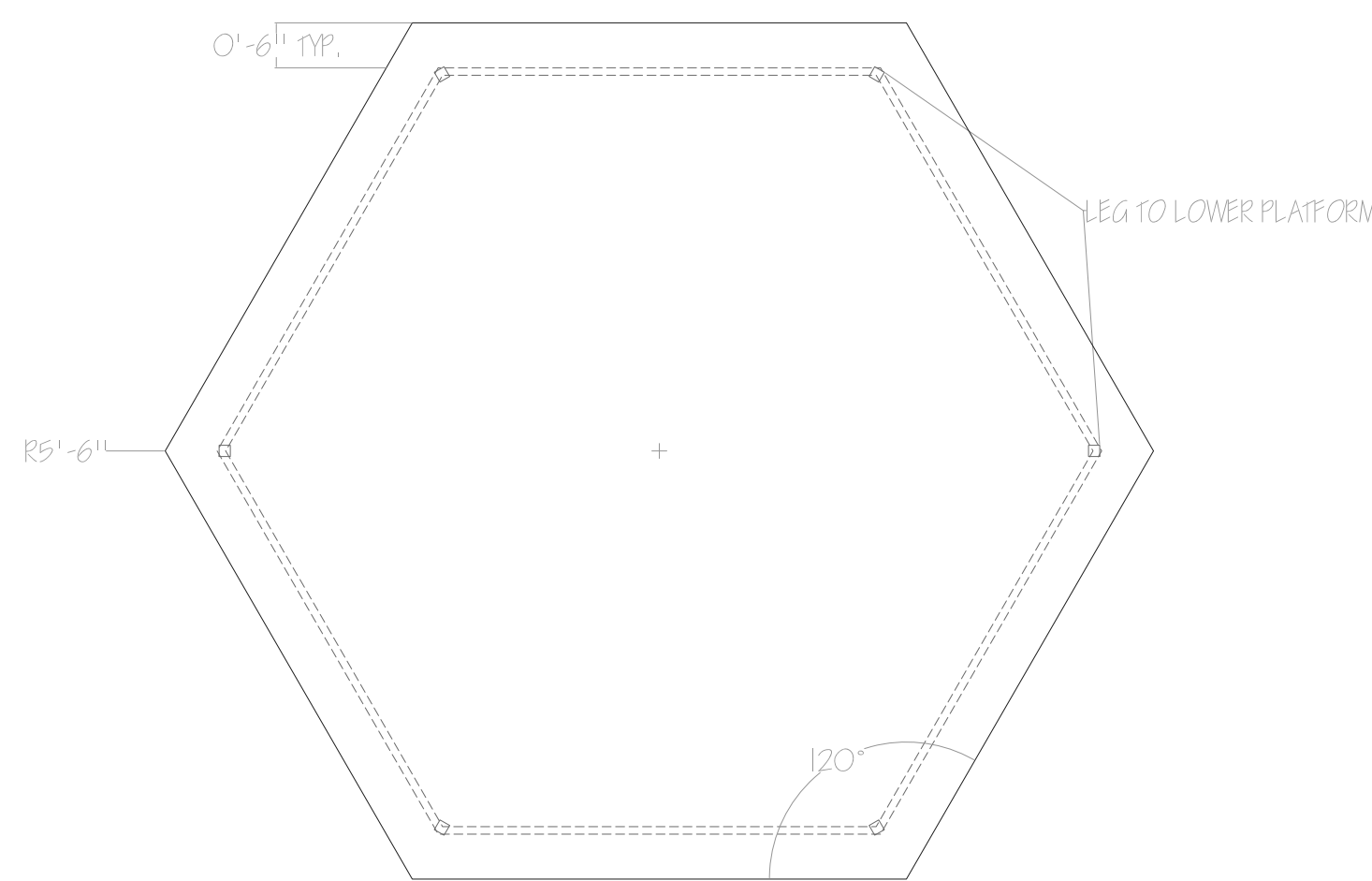
SCALE: 1/4" = 1'-0"



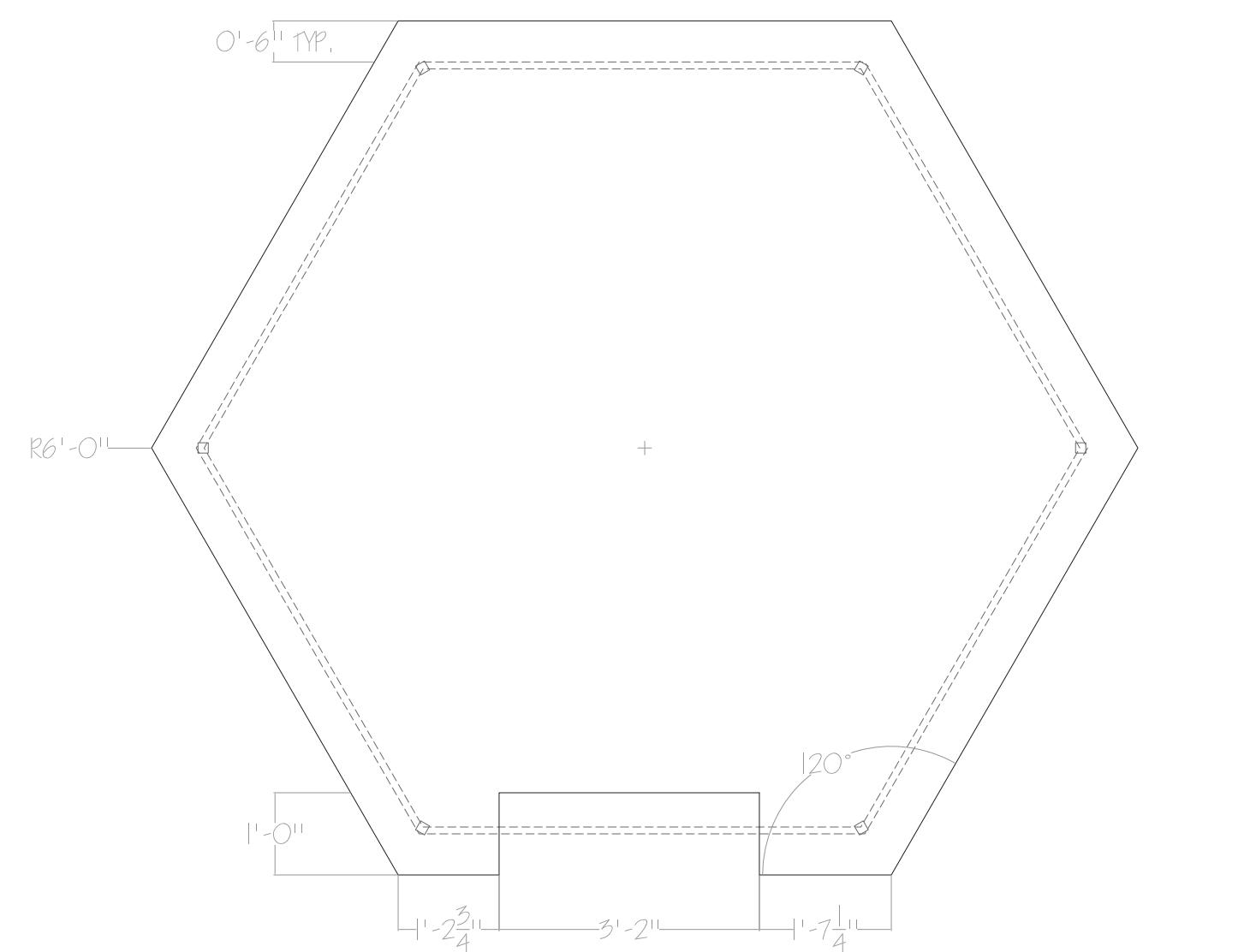
1 PLATFORM 'A' ELEVATION
DS SCALE: 1/2" = 1'-0"



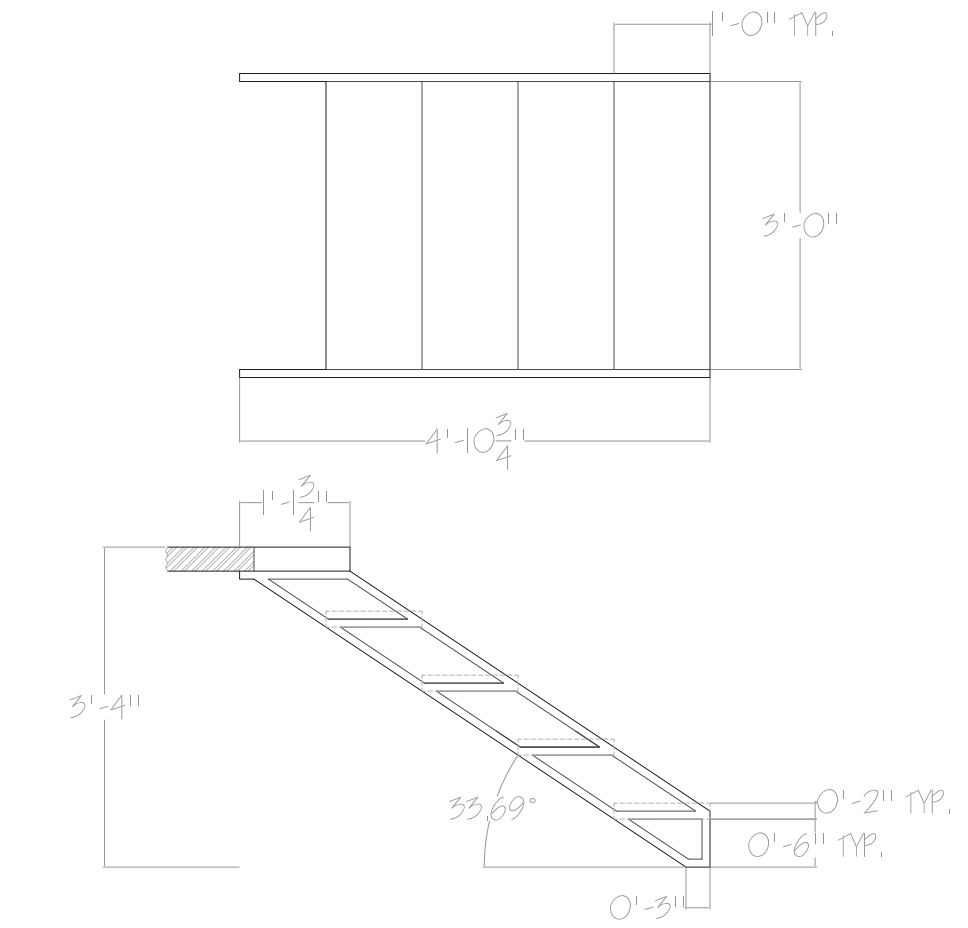
2 PLATFORM 'B' STAGE EXTENSION
DS SCALE: 1/2" = 1'-0"



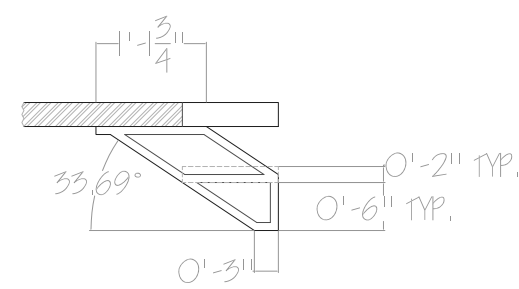
3 PLATFORM 'C' ELEVATION
DS SCALE: 1/2" = 1'-0"



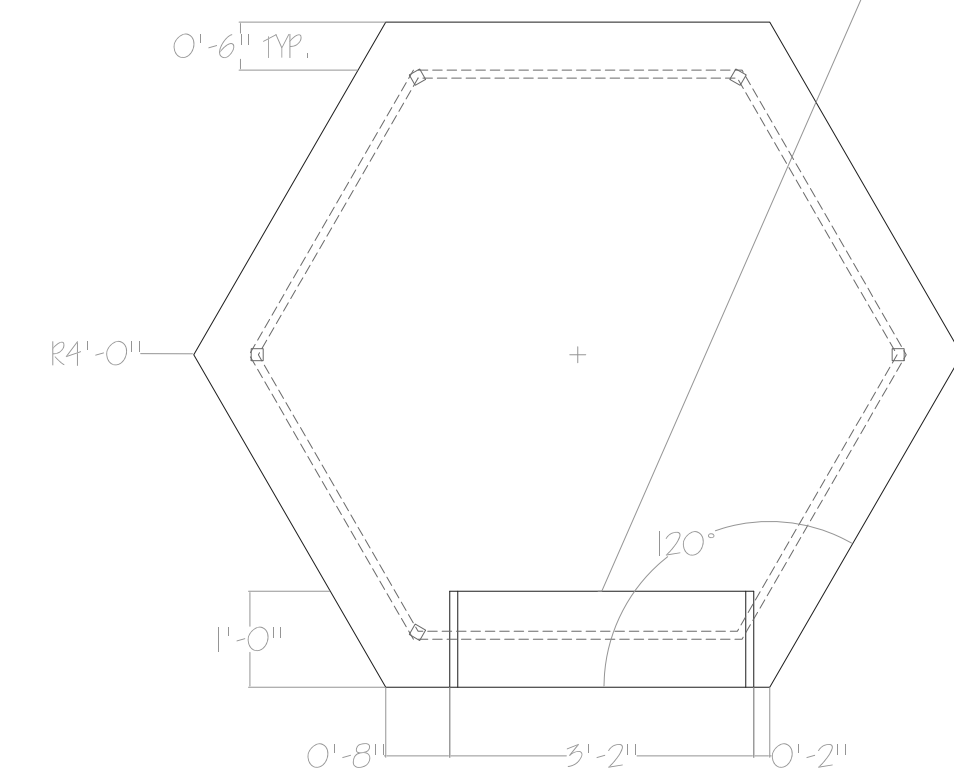
4 PLATFORM 'D' ELEVATION
DS SCALE: 1/2" = 1'-0"



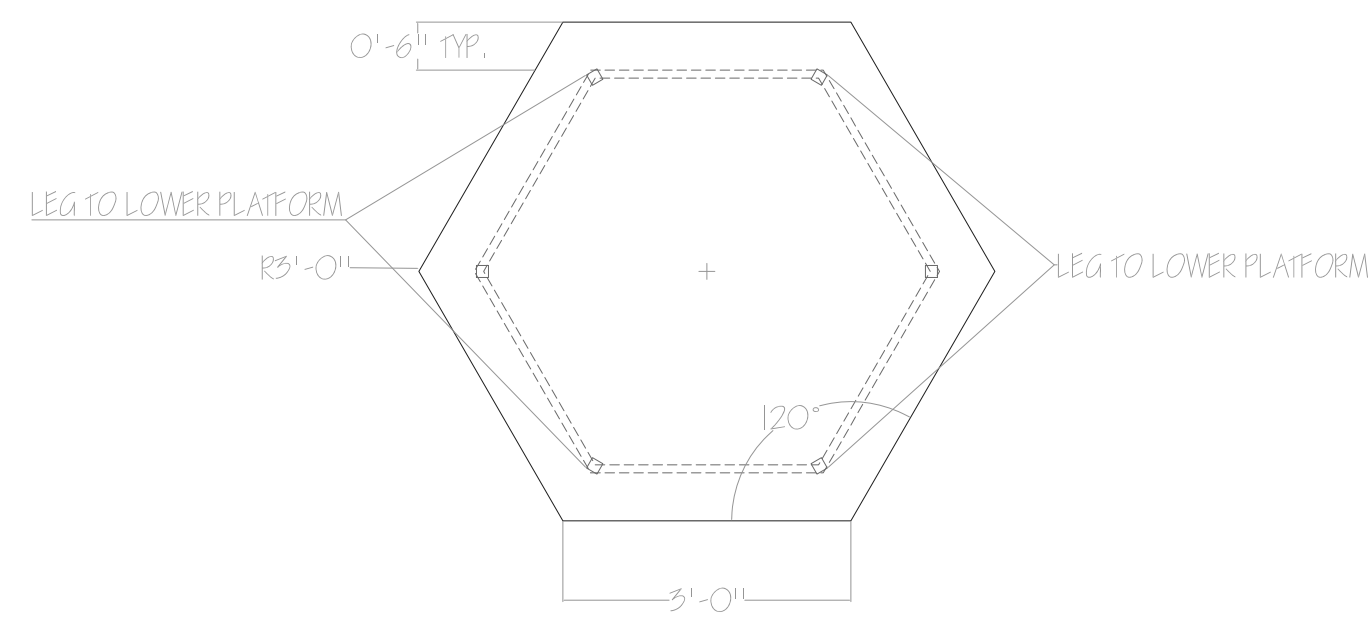
5 STAIR 'Q' to 'D' ELEVATION
DS SCALE: 1/2" = 1'-0"



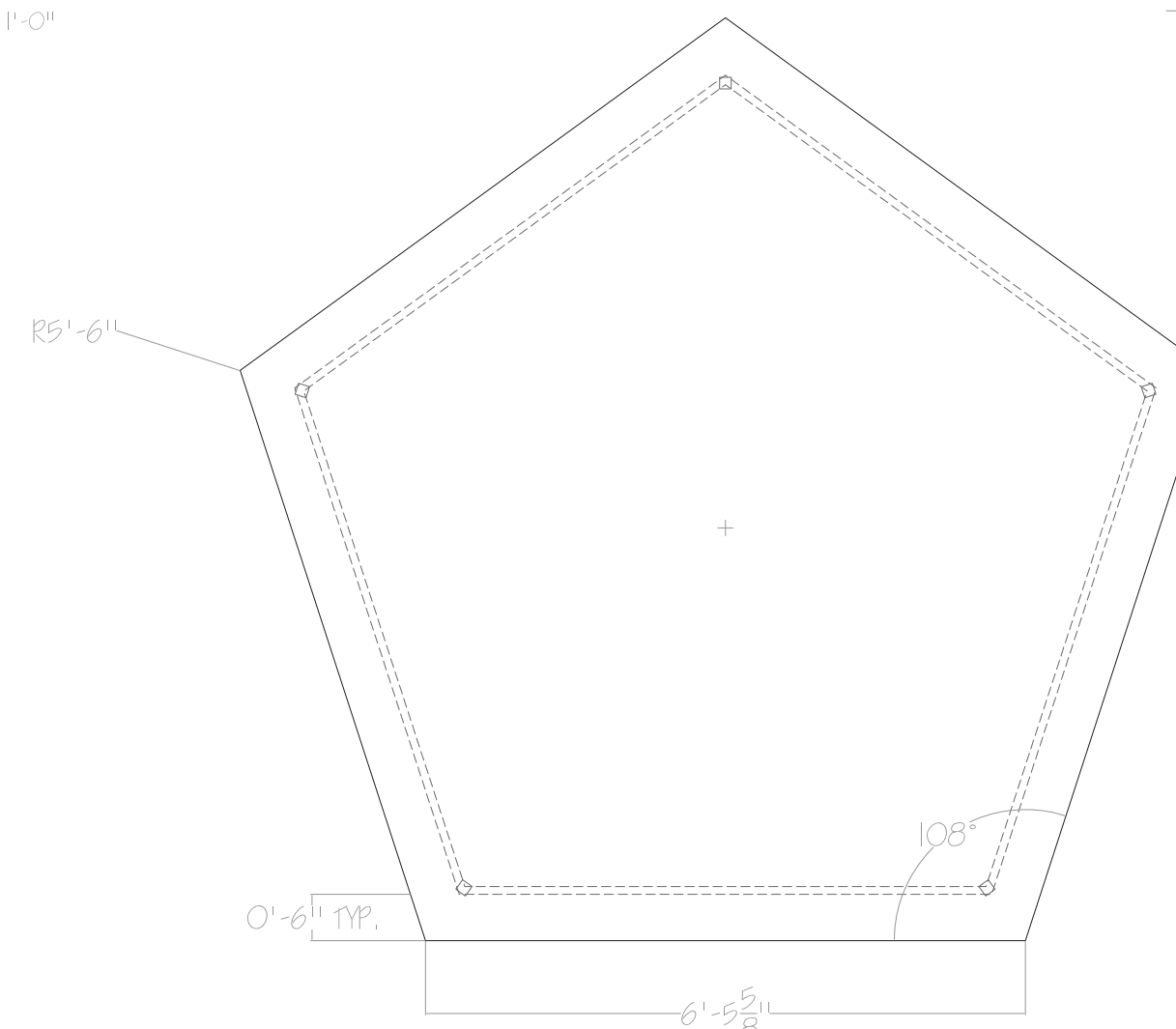
6-A STAIR 'C' to 'E' ELEVATION
DS SCALE: 1/2" = 1'-0"



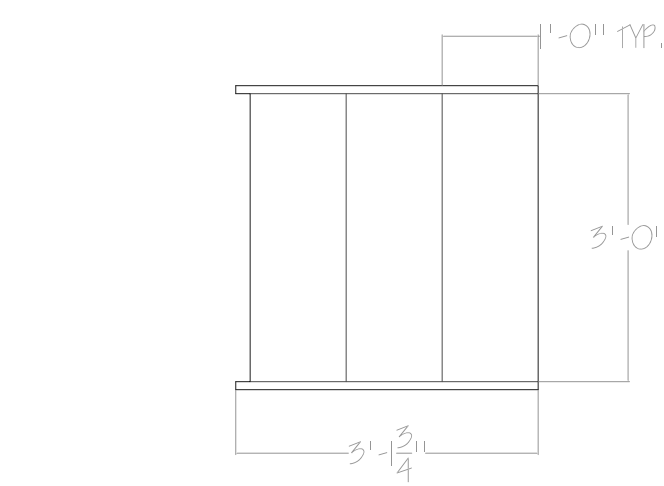
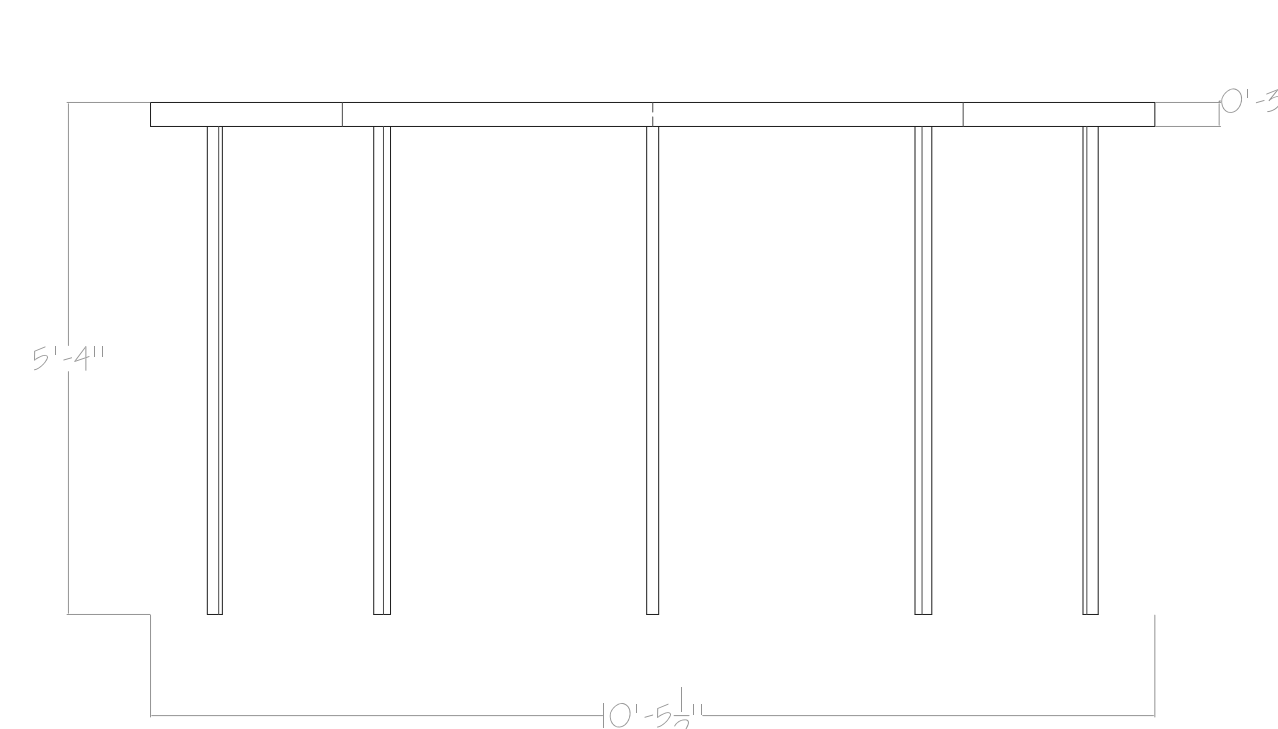
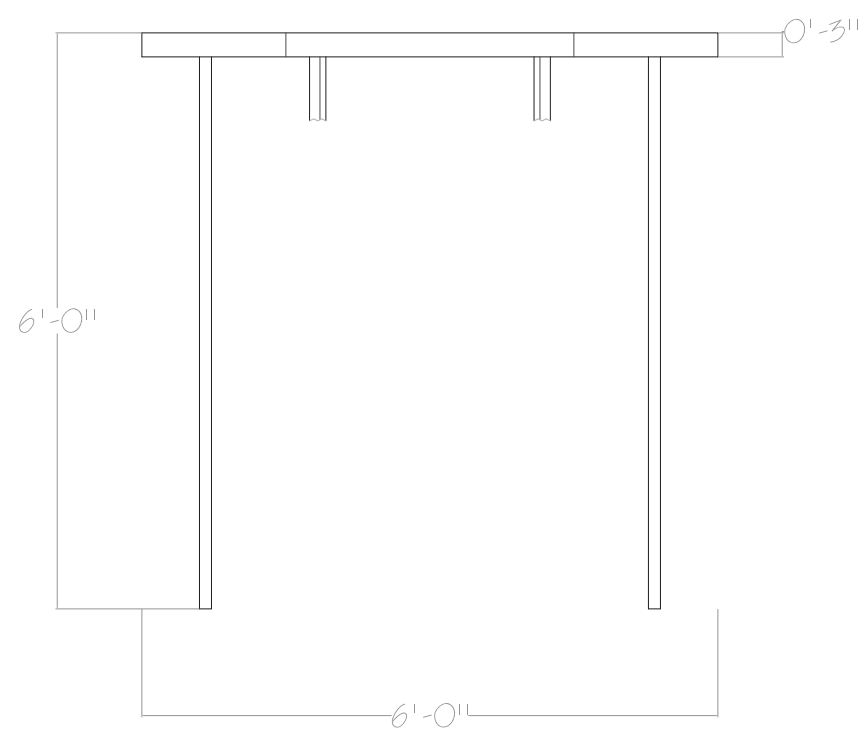
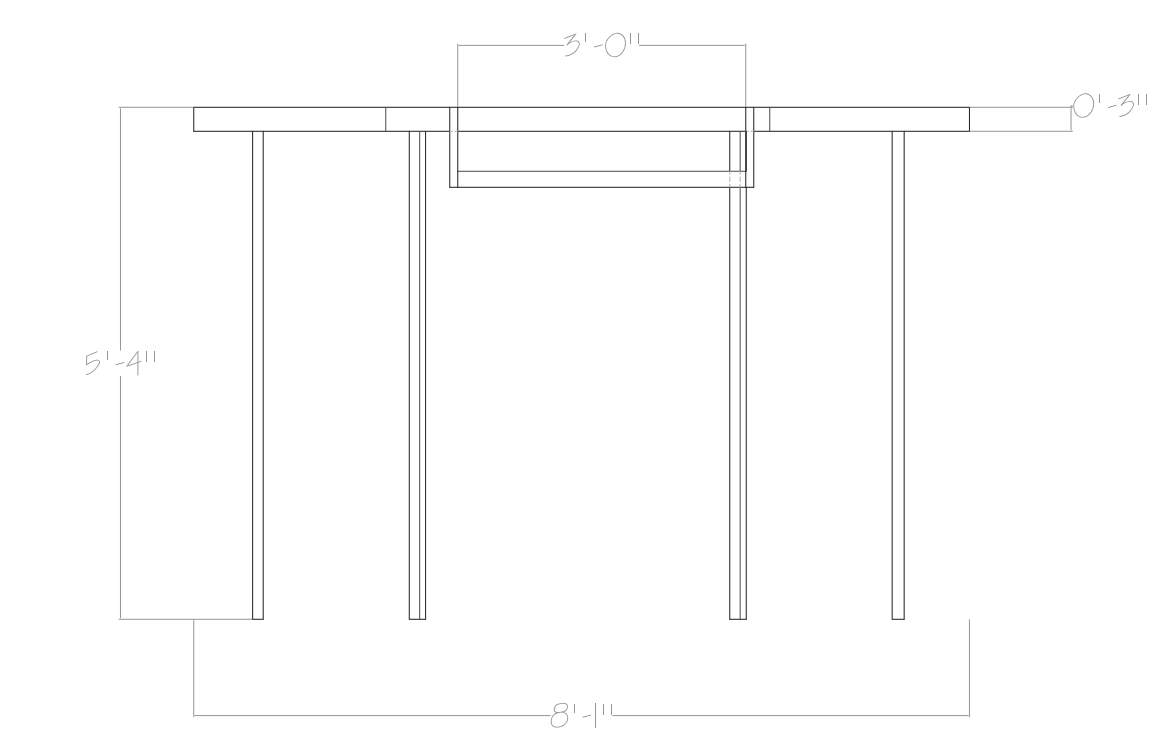
6 PLATFORM 'E' ELEVATION
DS SCALE: 1/2" = 1'-0"



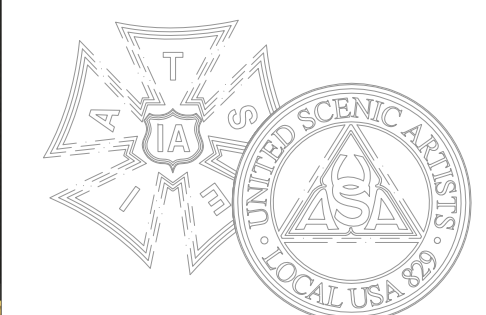
7 PLATFORM 'F' ELEVATION
DS SCALE: 1/2" = 1'-0"



8 PLATFORM 'G' ELEVATION
DS SCALE: 1/2" = 1'-0"



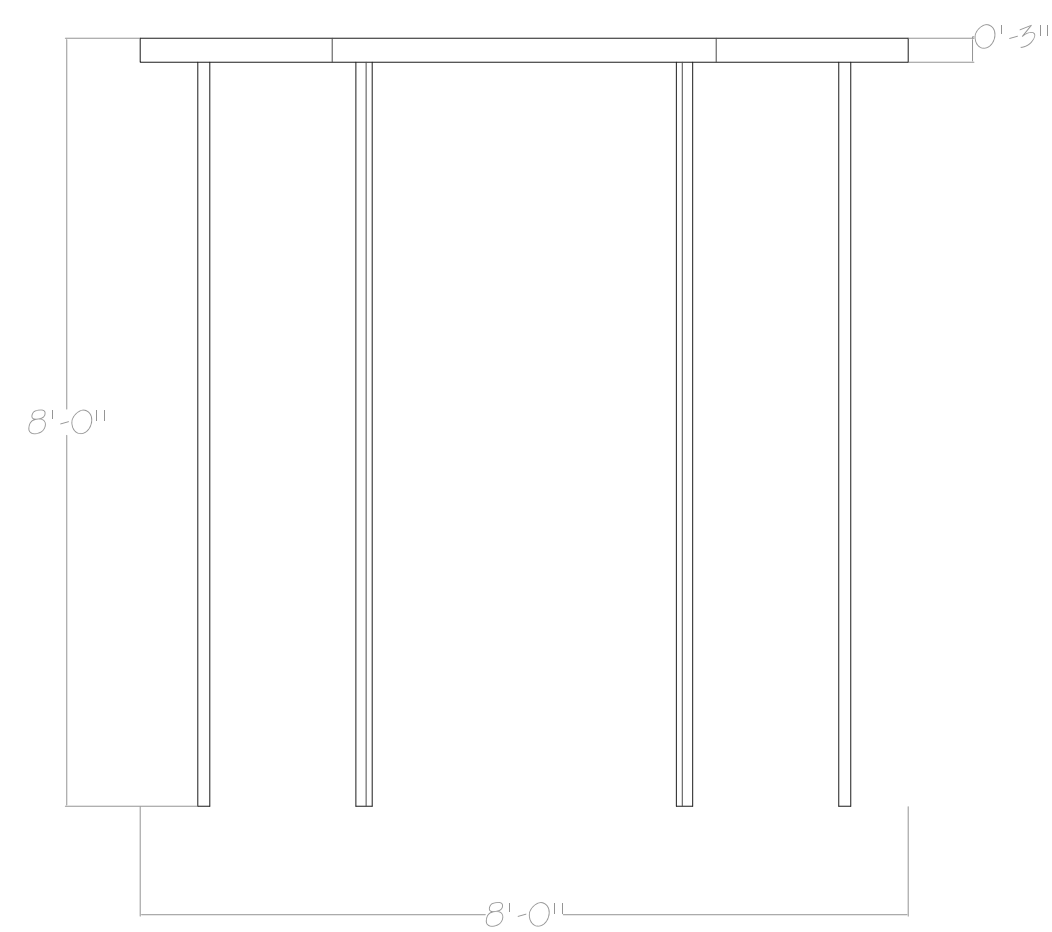
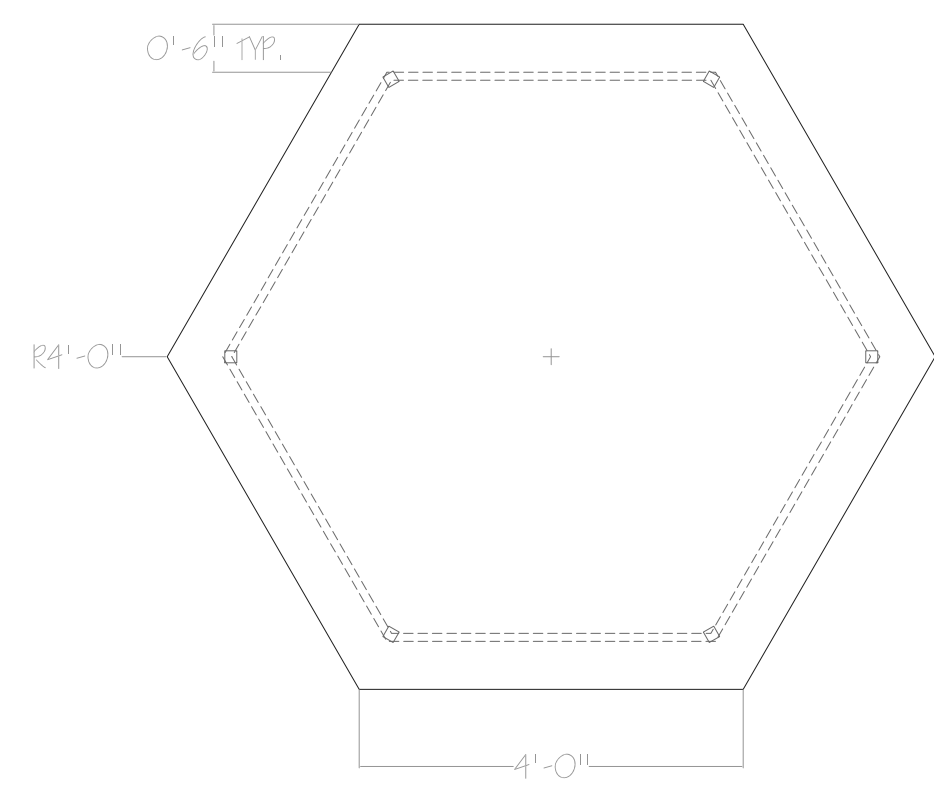
9 STAIR 'D' to 'G' ELEVATION
DS SCALE: 1/2" = 1'-0"



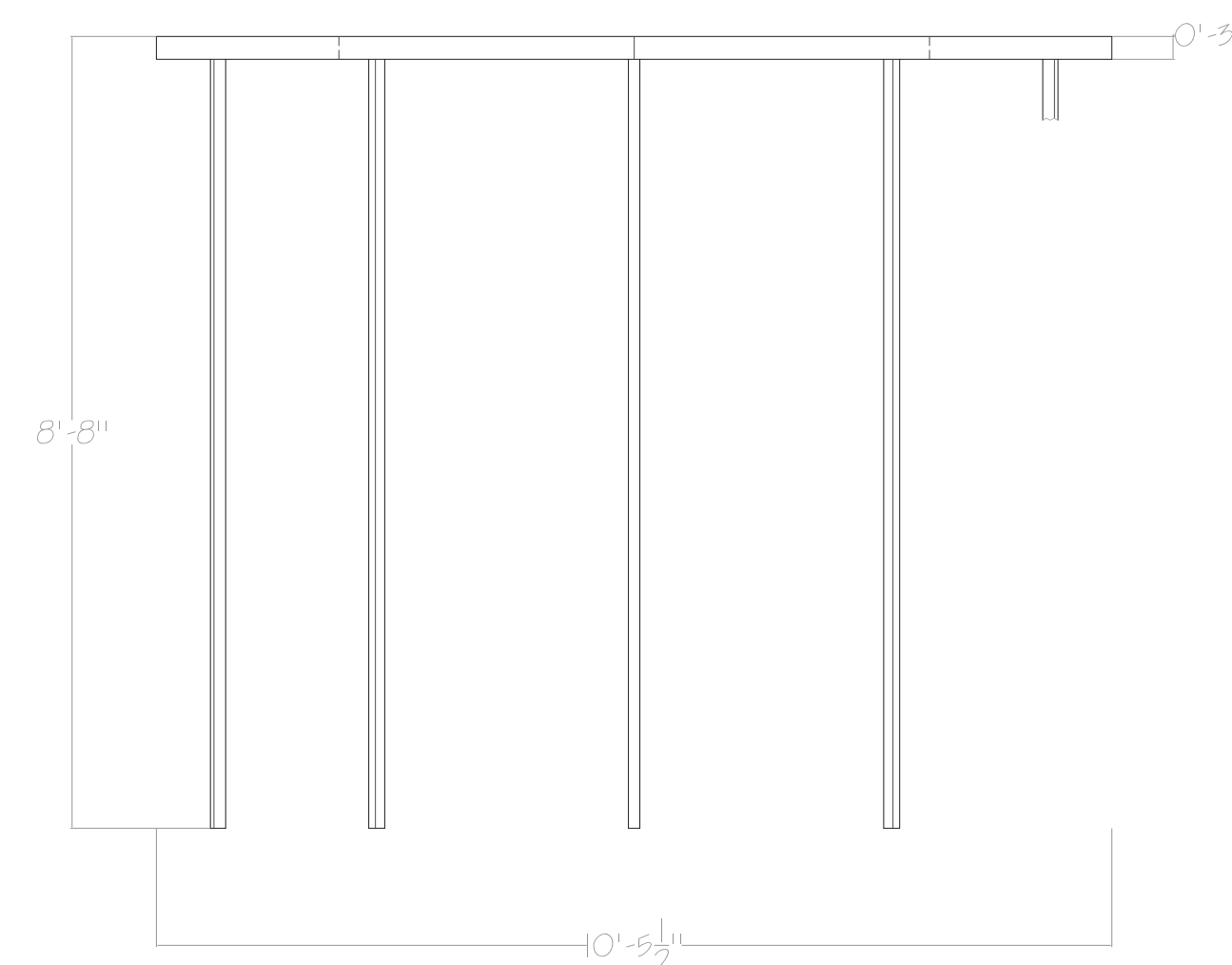
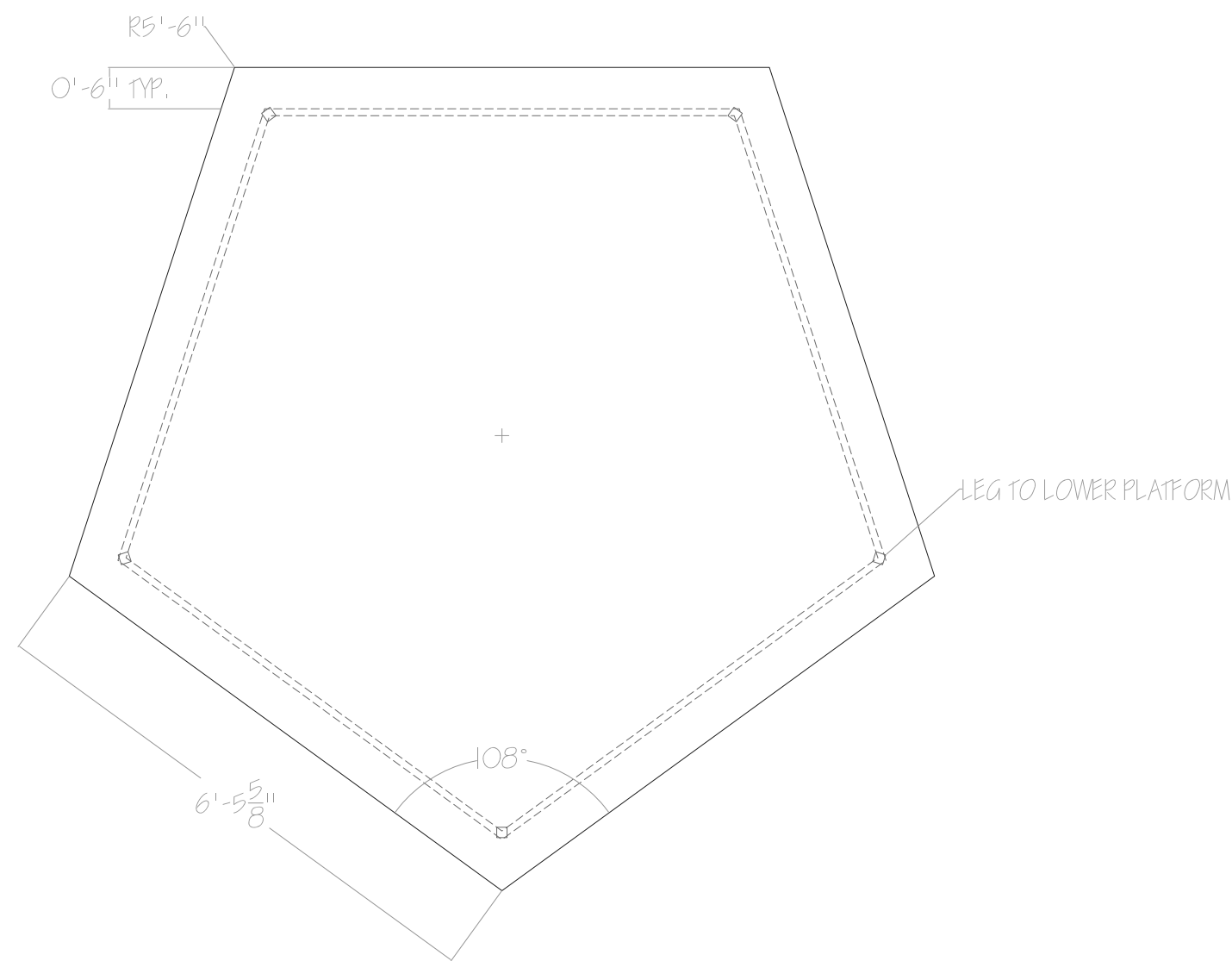
A.D. PLAYERS AT THE GEORGE THEATER

PHOTOGRAPH 51

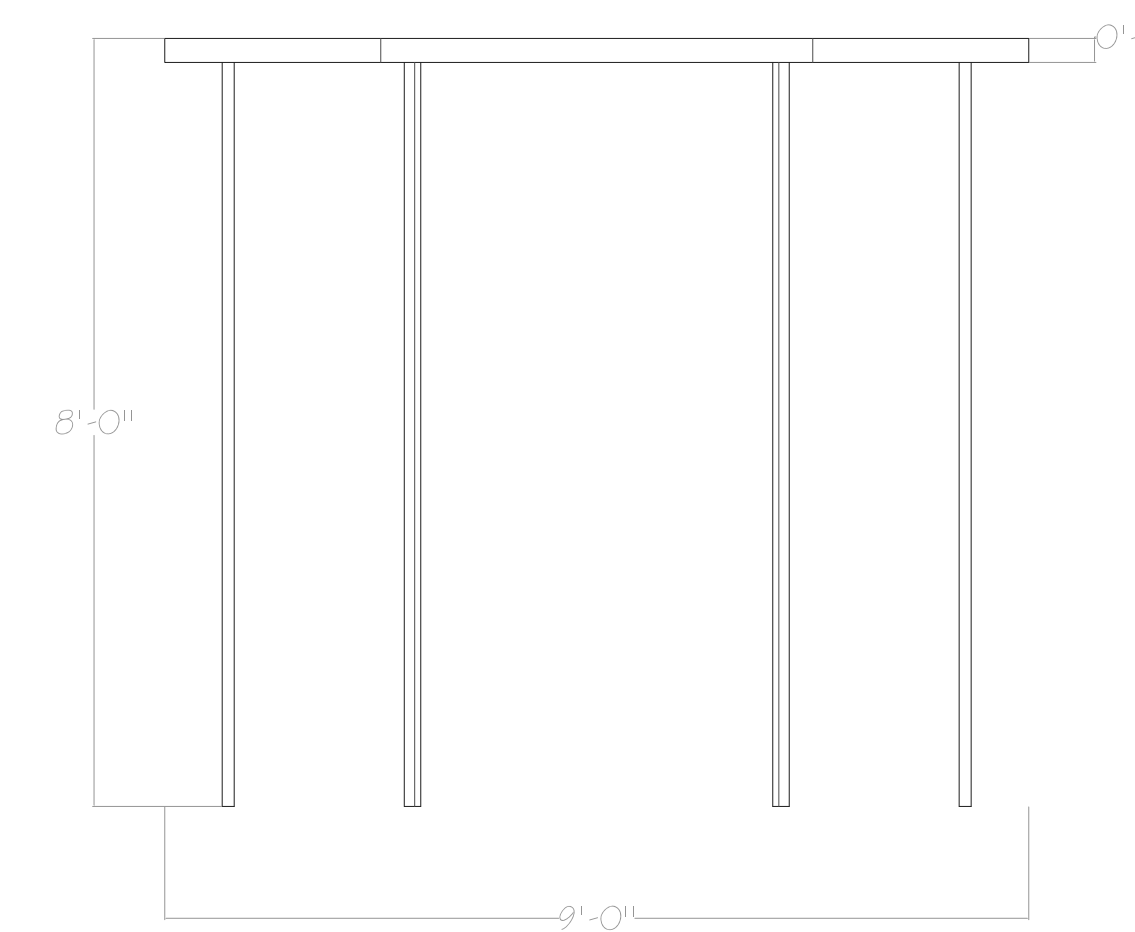
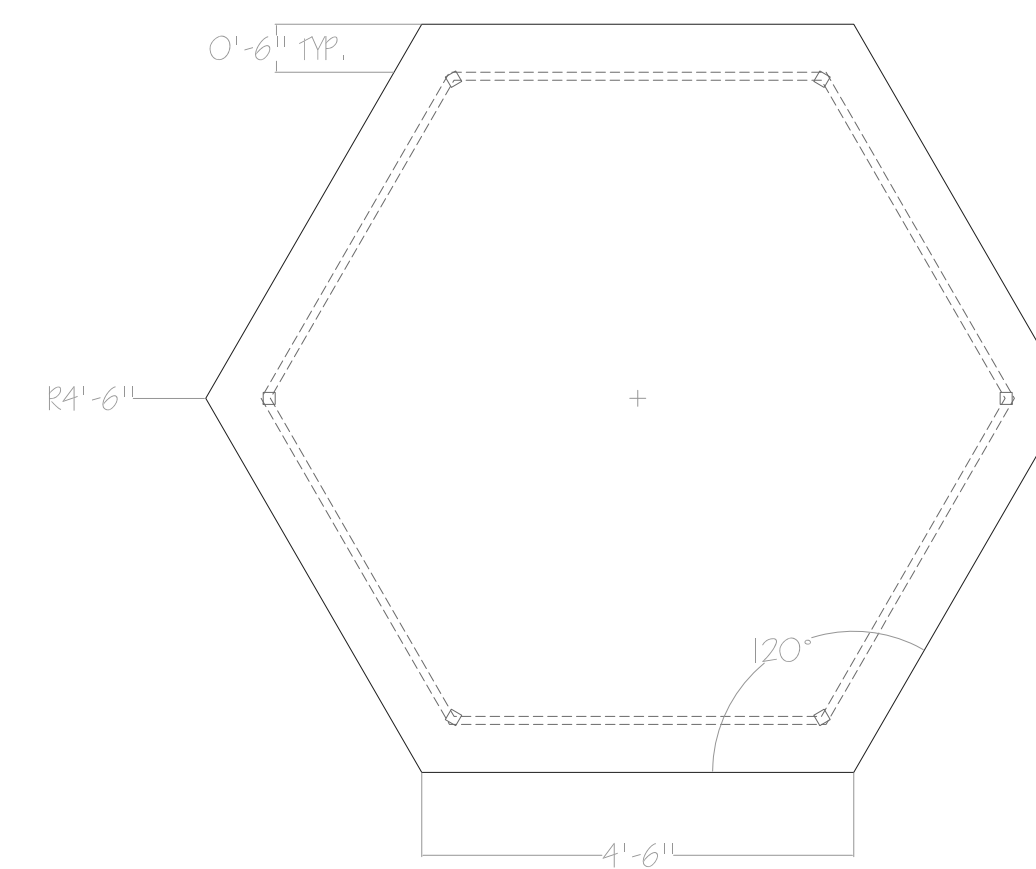
ELEVATIONS			DWG. NO.
DIRECTOR: LESLIE SWACKHAMER			D3
DESIGNER: KIRK A. DOMER			OF 8
TECH DIRECTOR: MICHAEL MULLINS			CKD:
DRAFTER: KIRK DOMER			DRAWING DATE:
APPROVED:	DATE:	SCALE: 1/2" = 1'-0"	11-11-20



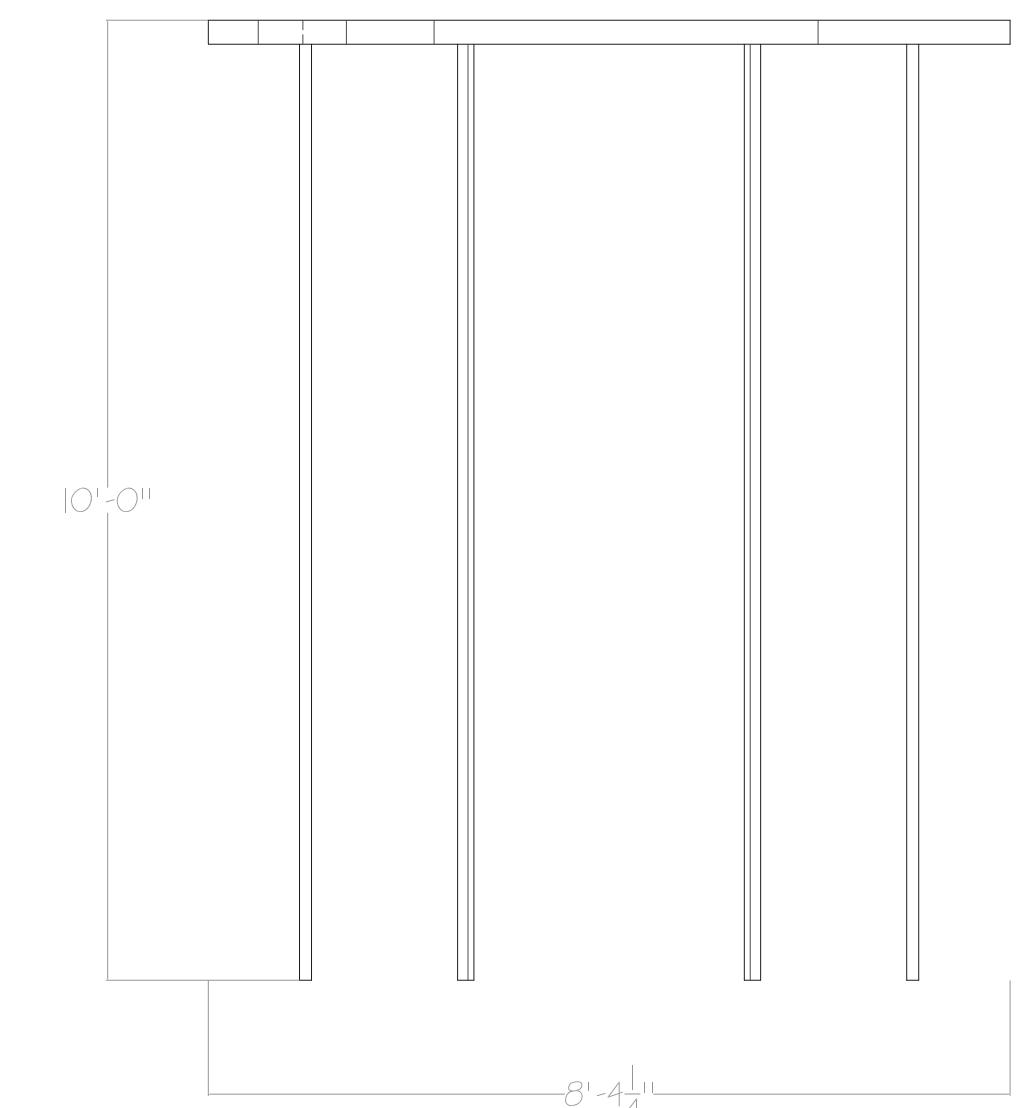
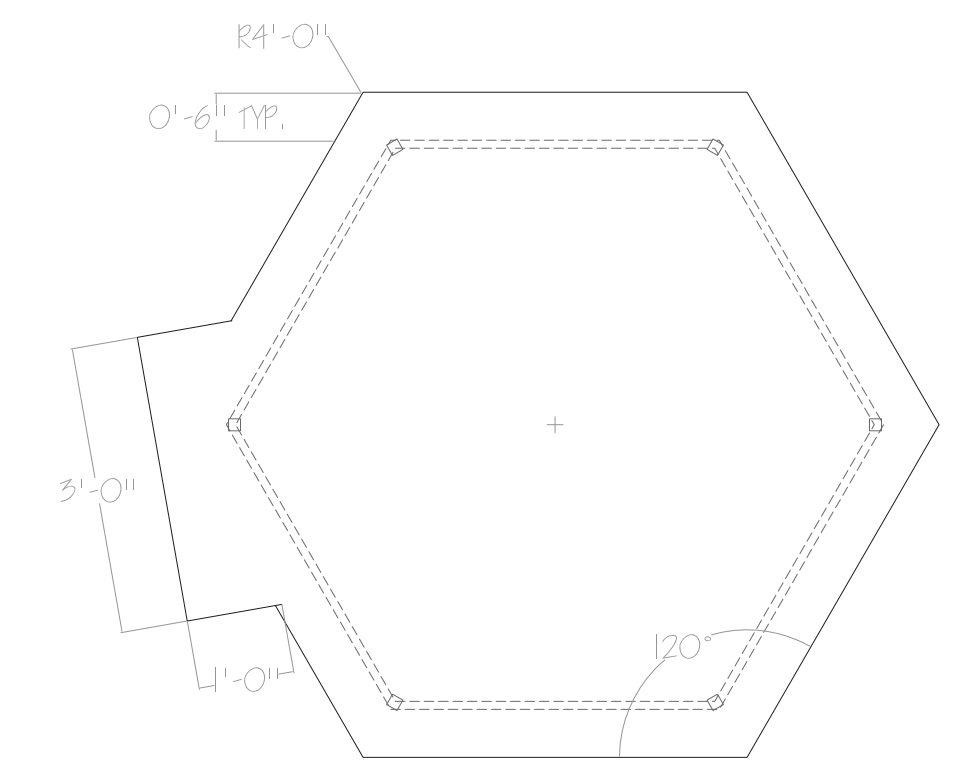
1 PLATFORM 'H' ELEVATION
SCALE: 1/2" = 1'-0"



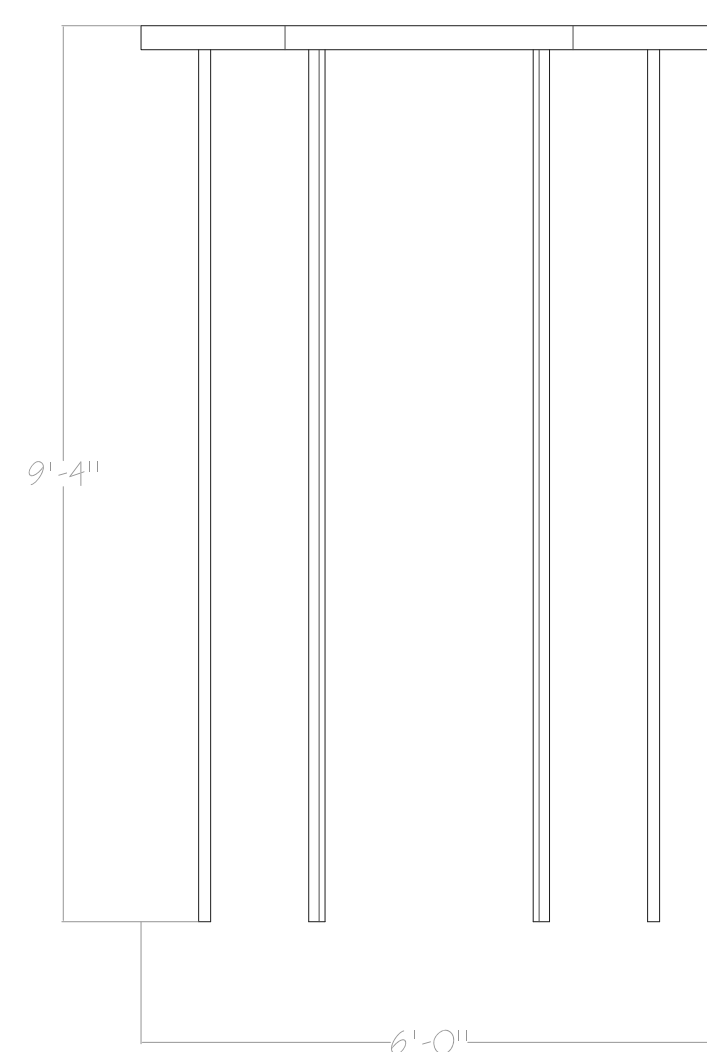
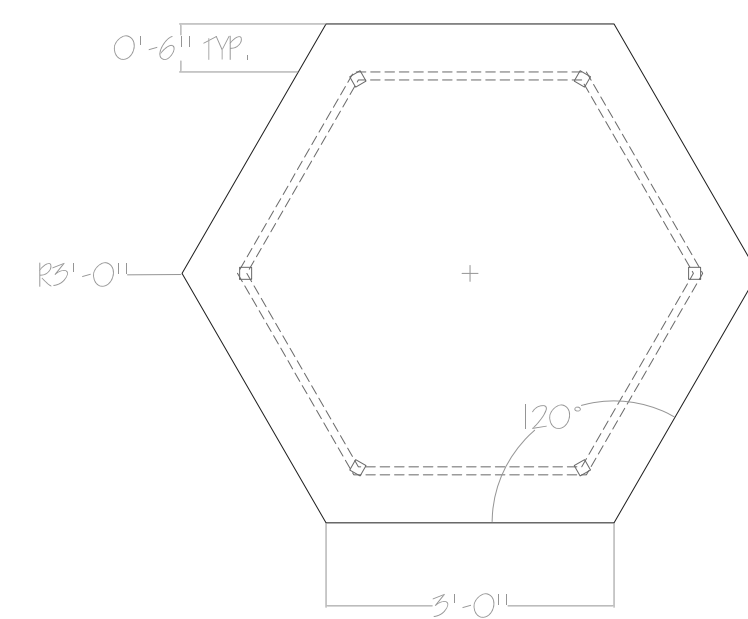
2 PLATFORM 'I' ELEVATION
SCALE: 1/2" = 1'-0"



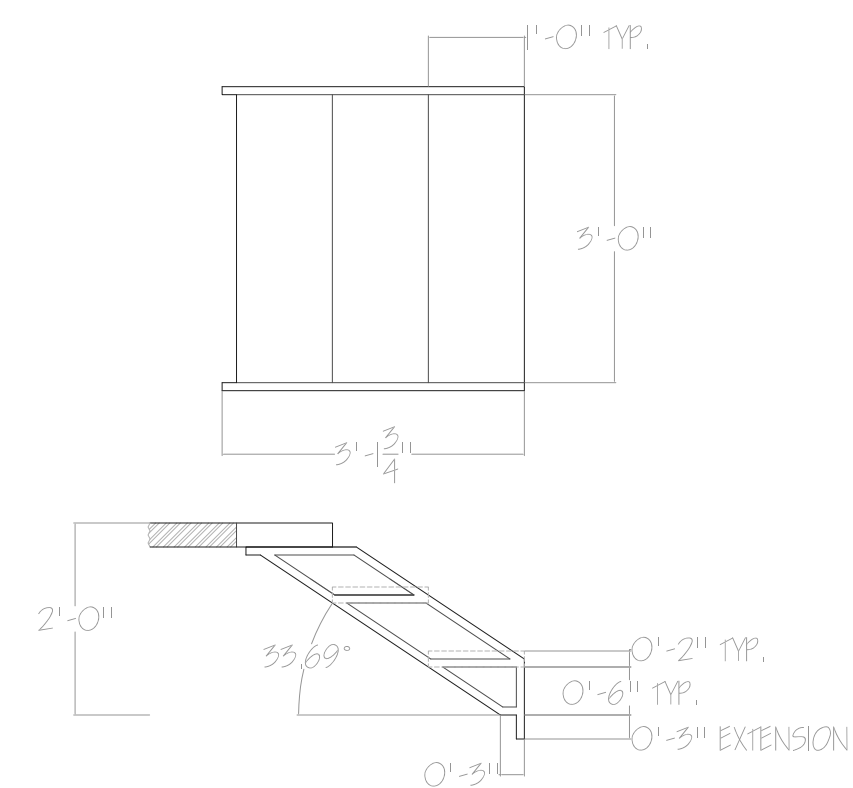
5 PLATFORM 'J' ELEVATION
SCALE: 1/2" = 1'-0"



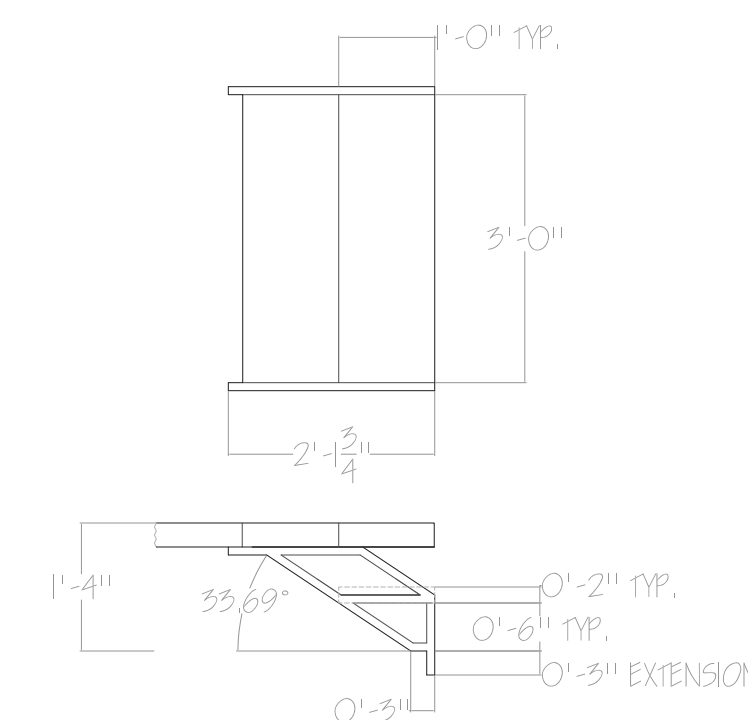
4 PLATFORM 'K' ELEVATION
SCALE: 1/2" = 1'-0"



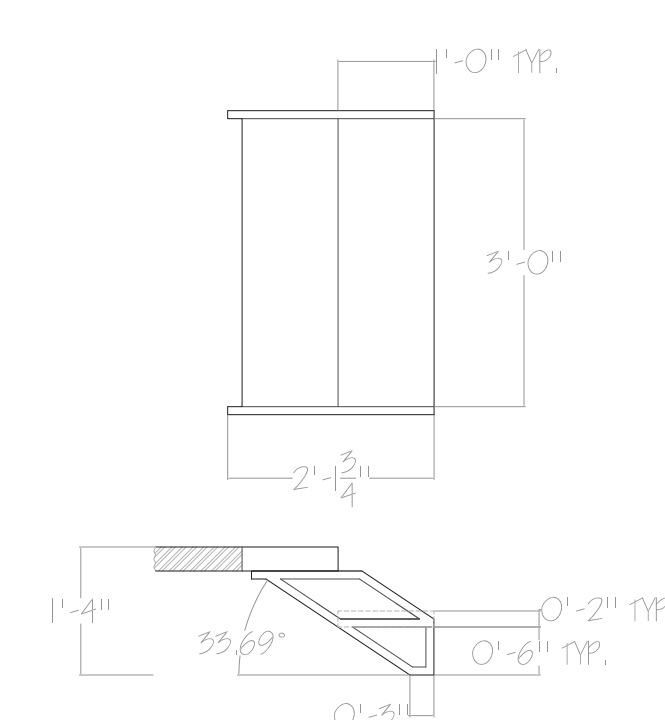
6 PLATFORM 'L' ELEVATION
SCALE: 1/2" = 1'-0"



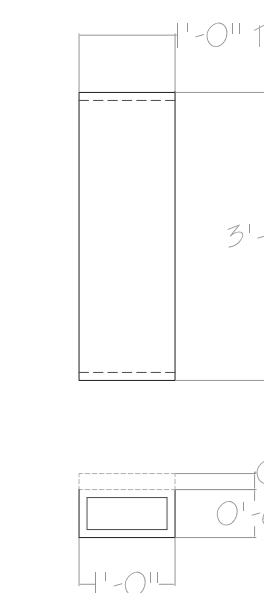
5 STAIR 'J' to 'K' ELEVATION
SCALE: 1/2" = 1'-0"



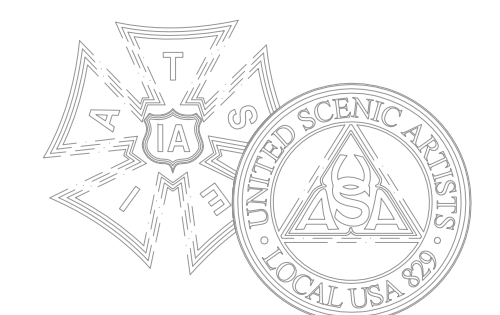
7 STAIR 'Q' to 'M' ELEVATION
SCALE: 1/2" = 1'-0"



8 STAIR 'O' to 'N' ELEVATION
SCALE: 1/2" = 1'-0"



9 STAIR 'P' to 'O' ELEVATION
SCALE: 1/2" = 1'-0"



A.D. PLAYERS AT THE GEORGE THEATER

PHOTOGRAPH 51

ELEVATIONS

DWG. NO.

DIRECTOR: LESLIE SWACKHAMER

D4

DESIGNER: KIRK A. DOMER

OF 8

TECH DIRECTOR: MICHAEL MULLINS

DRAFTER: KIRK DOMER

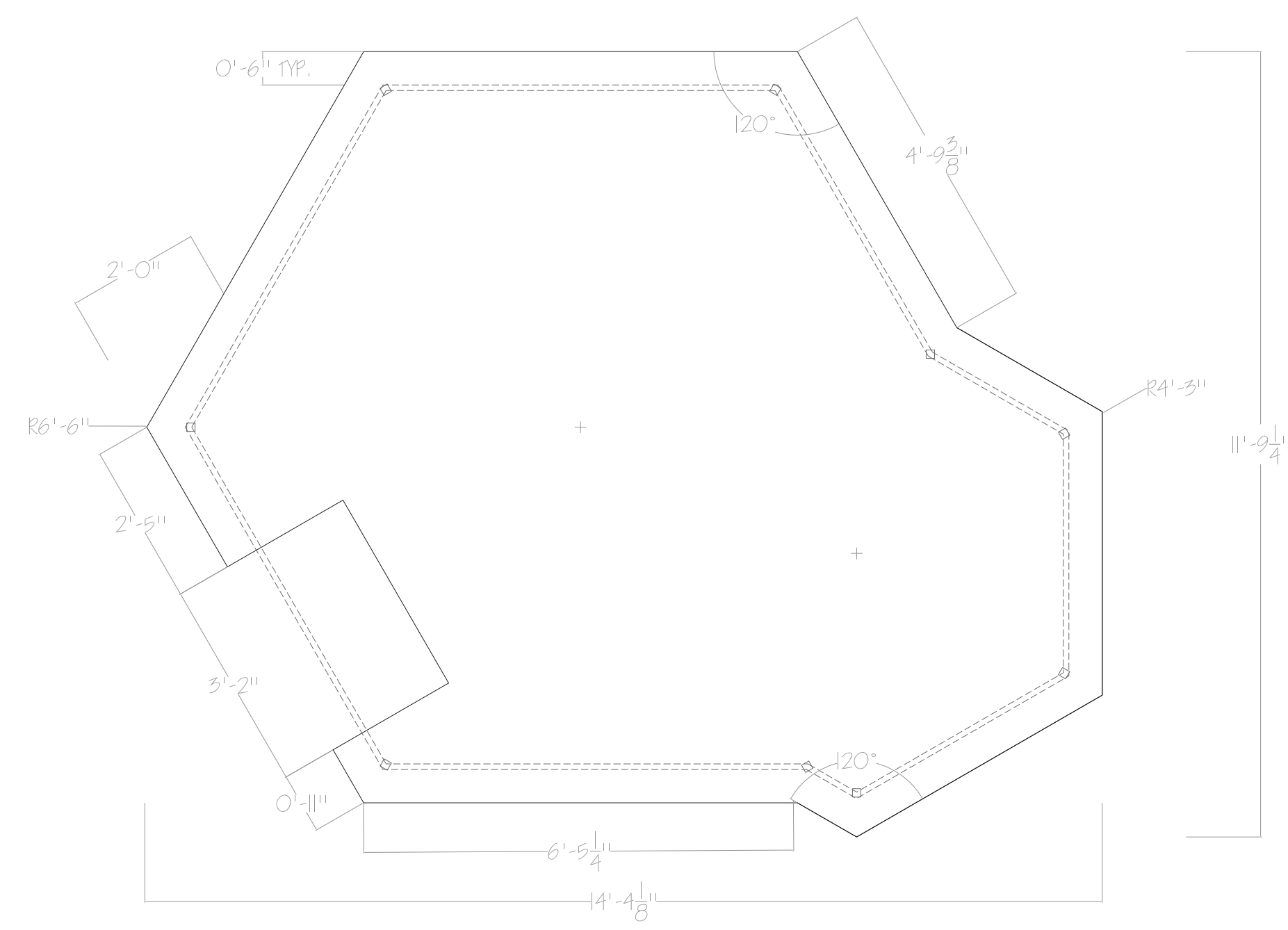
CKD:

APPROVED:

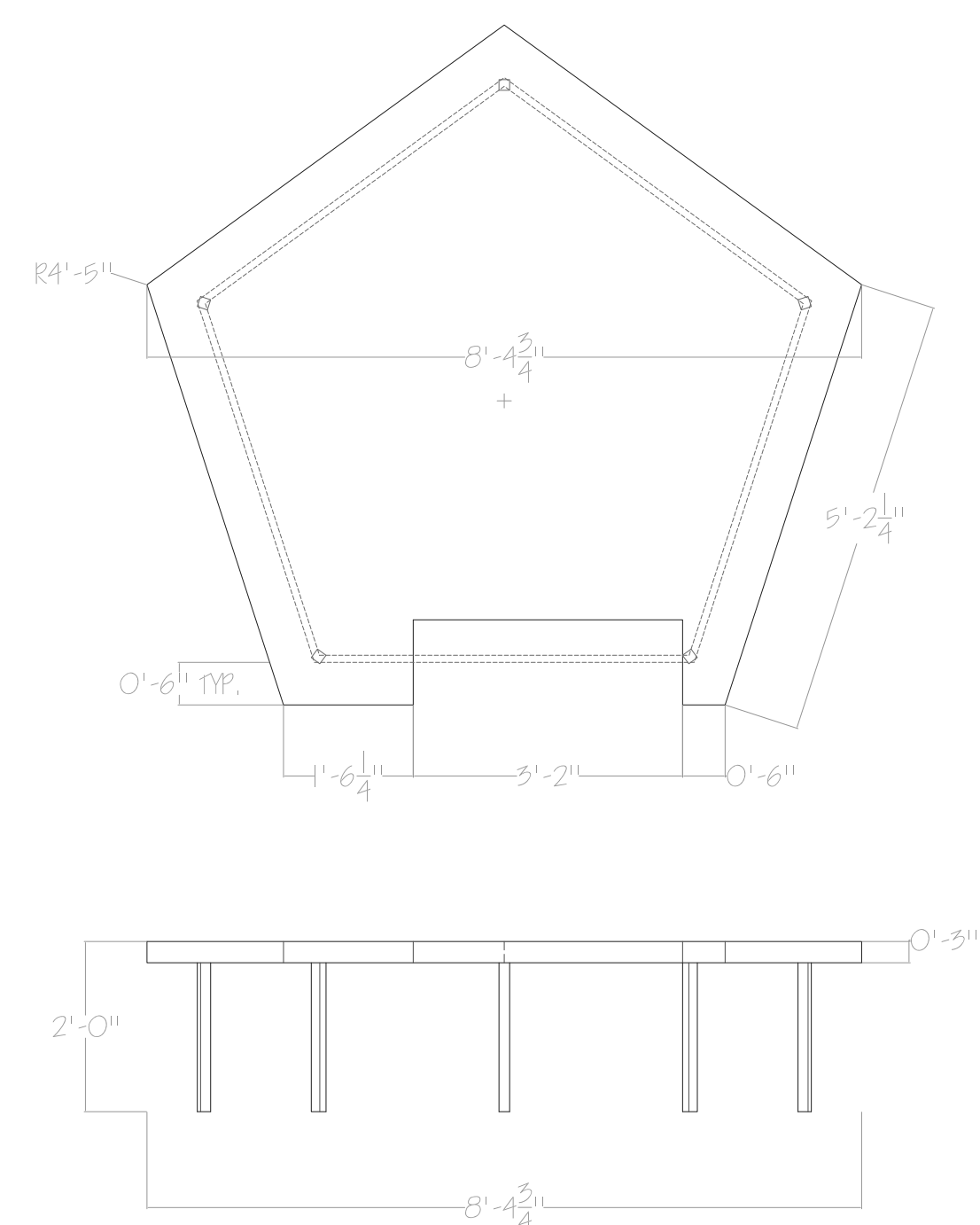
DATE:

SCALE:
1/2" = 1'-0"

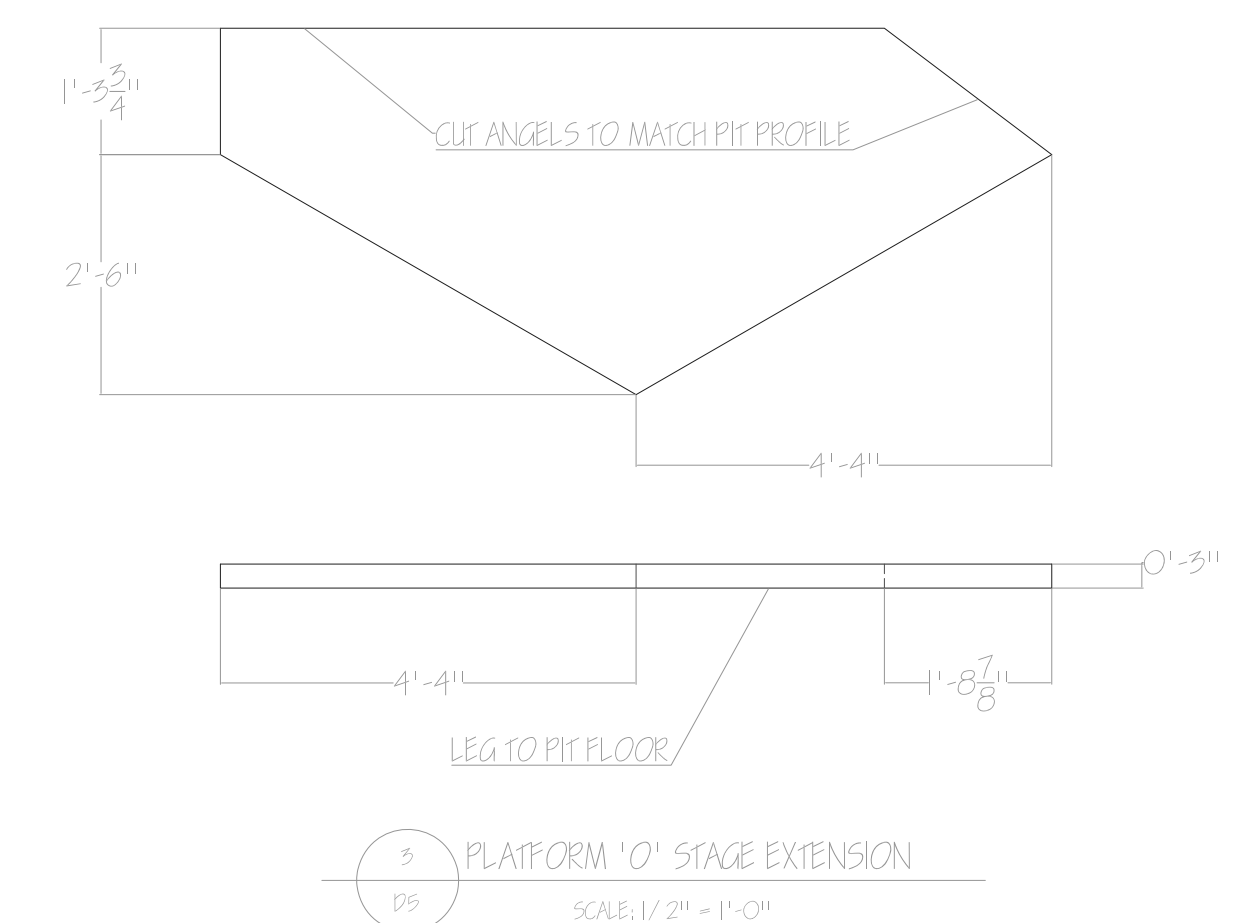
DRAWING DATE:
11-11-20



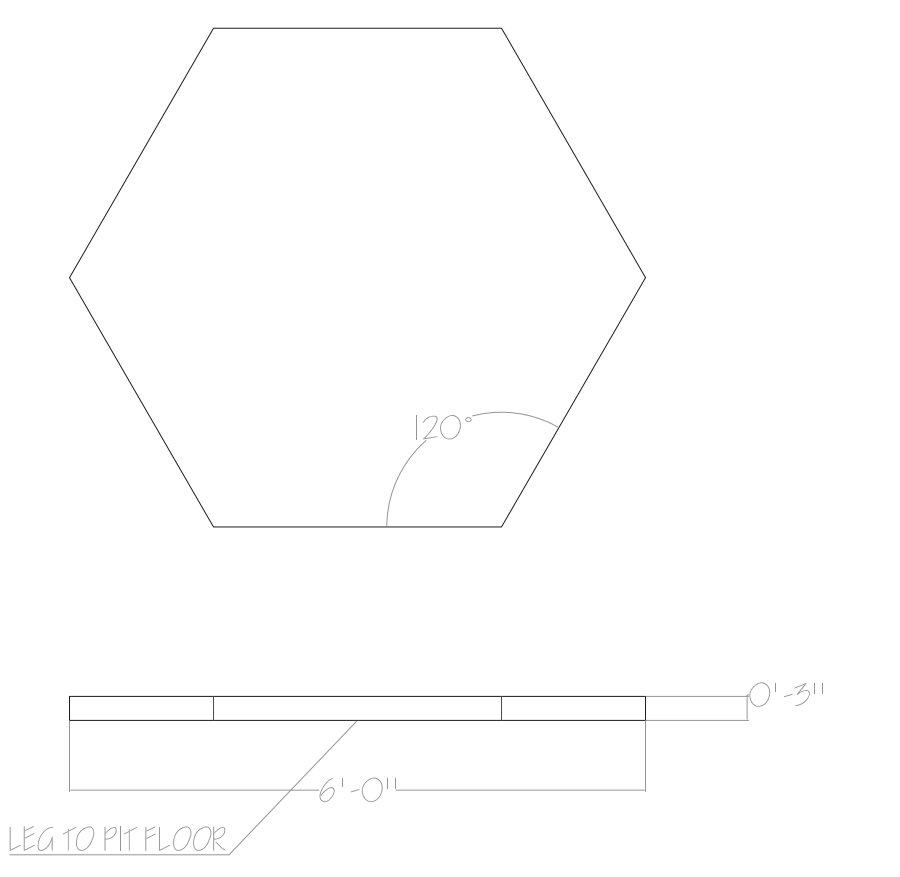
1 PLATFORM 'M' ELEVATION
SCALE: 1/2" = 1'-0"



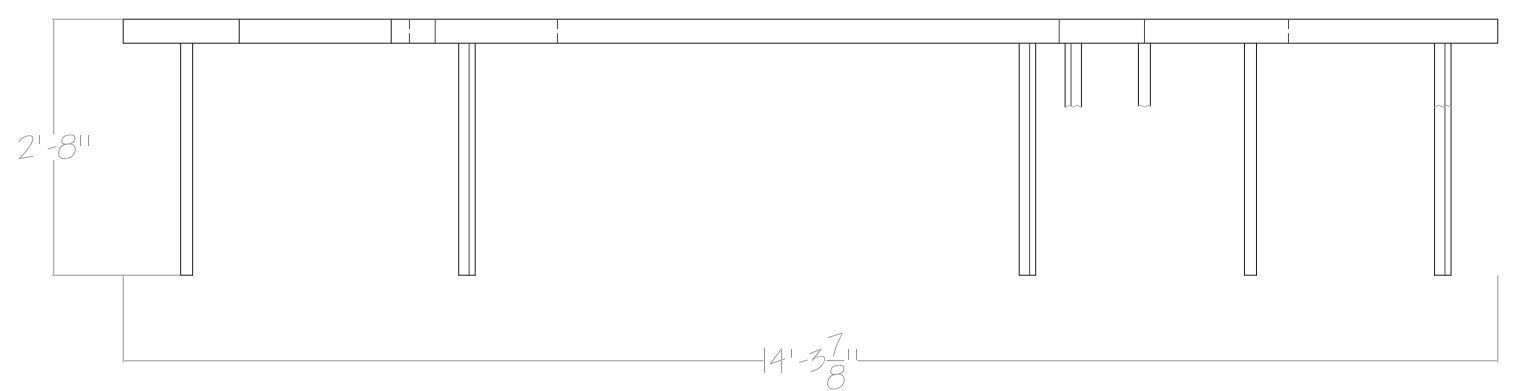
2 PLATFORM 'N' ELEVATION
SCALE: 1/2" = 1'-0"



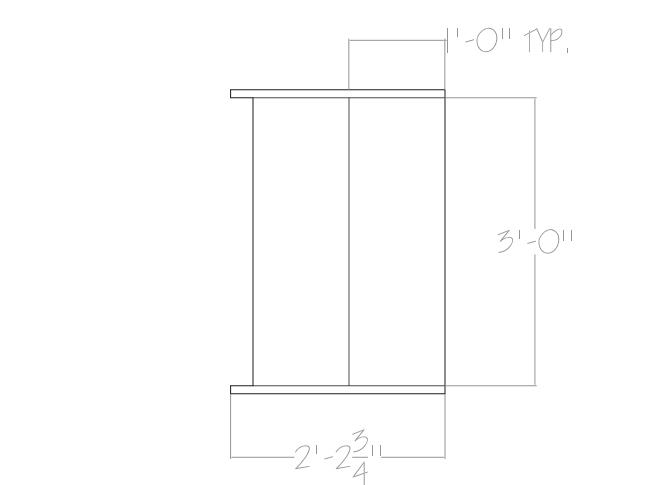
3 PLATFORM 'O' STAGE EXTENSION
SCALE: 1/2" = 1'-0"



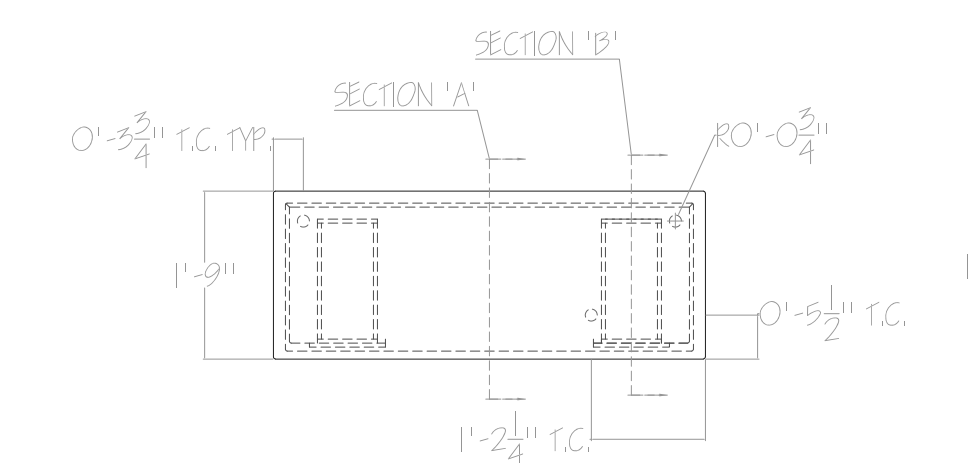
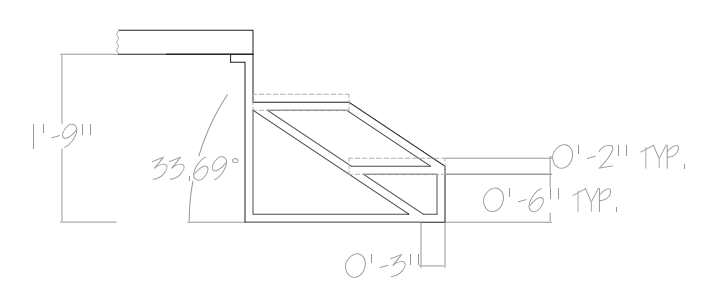
4 PLATFORM 'P' ELEVATION
SCALE: 1/2" = 1'-0"



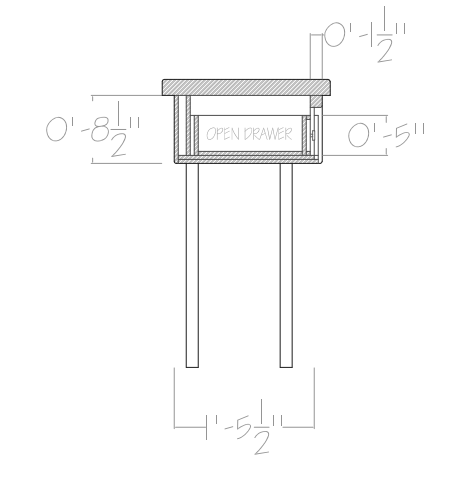
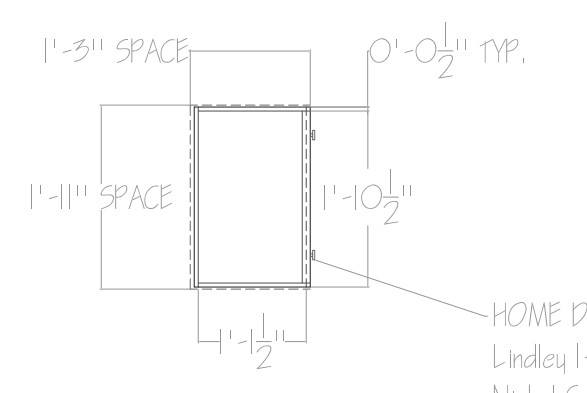
5 PLATFORM 'Q' FASCIA BOARD
SCALE: 1/2" = 1'-0"



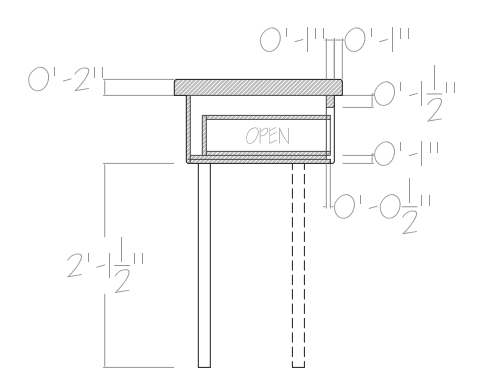
6 PLATFORM 'N' ESCAPE STAIR
SCALE: 1/2" = 1'-0"



7 LAB TABLE (MAKE-5)
SCALE: 1/2" = 1'-0"

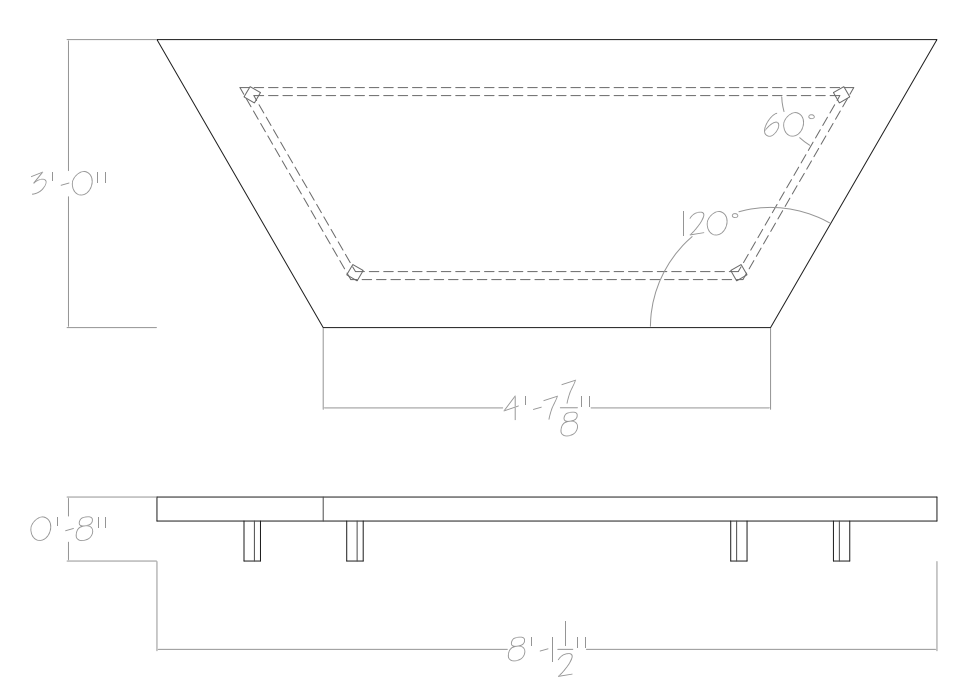


SECTION 'A'

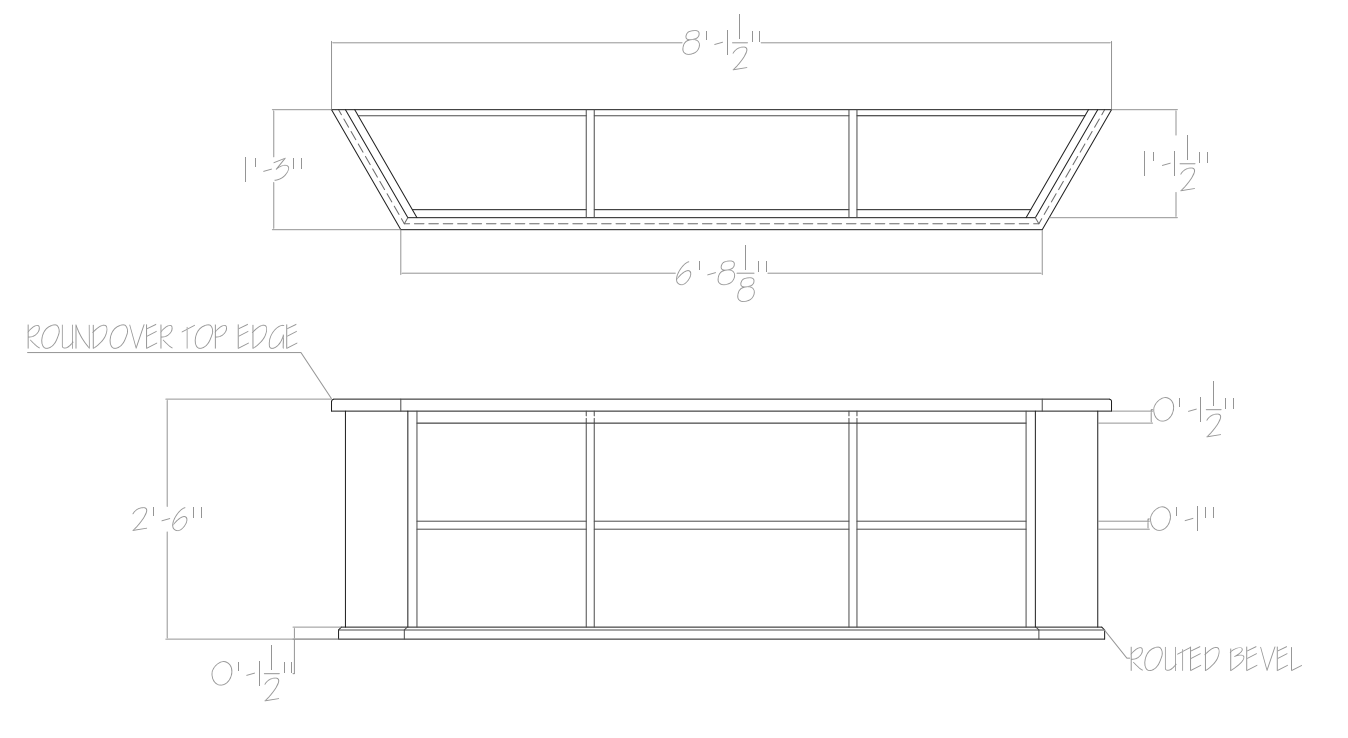


SECTION 'B'

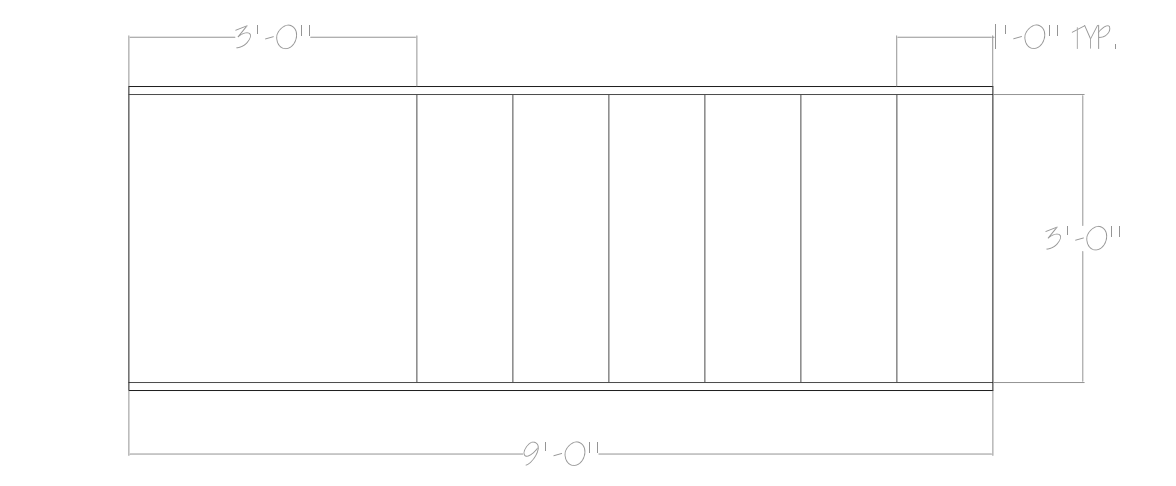
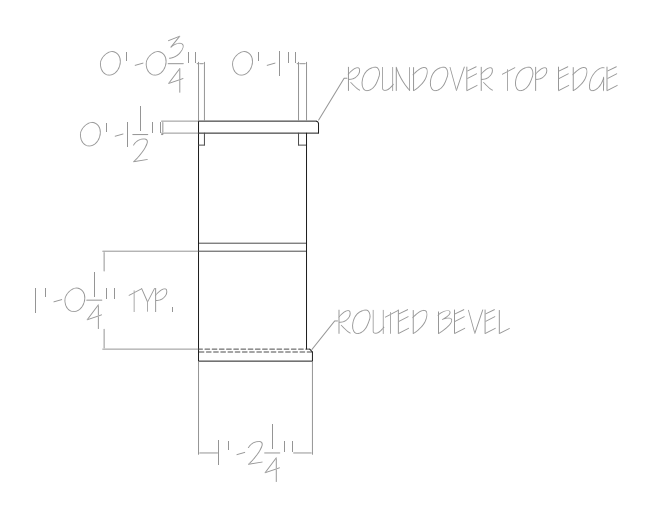
HOME DEPOT: Liberty Lindley 1-3/16" Satin Nickel Square Cabinet Knob



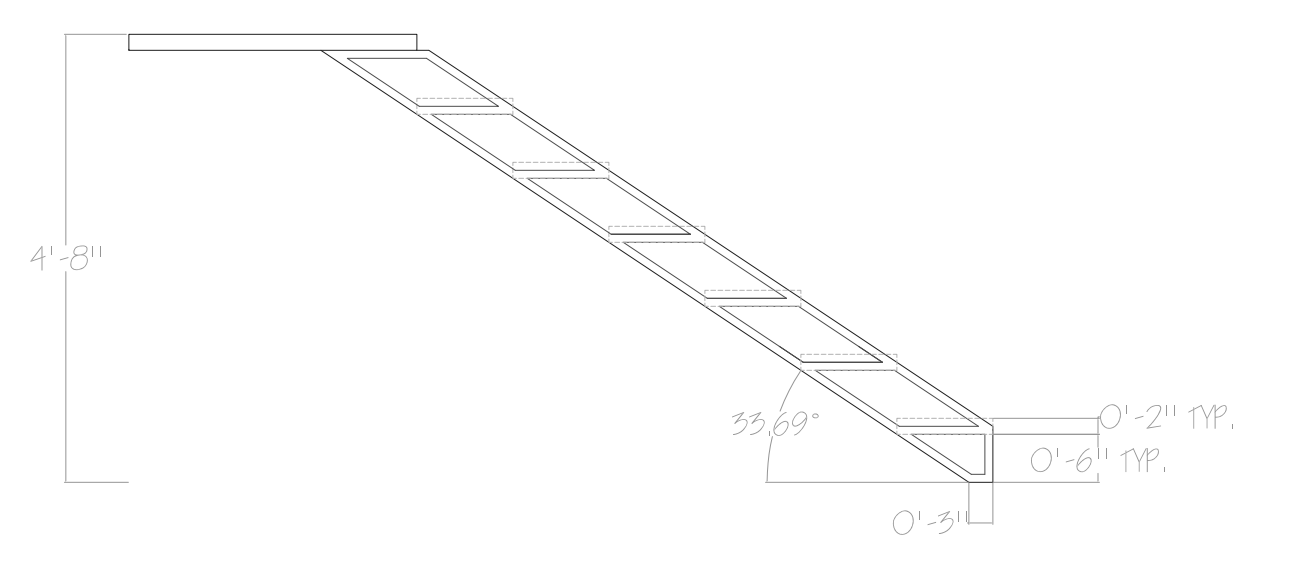
8 PLATFORM 'Q' STEP
SCALE: 1/2" = 1'-0"



9 PLATFORM 'Q' SHELF
SCALE: 1/2" = 1'-0"



10 PLATFORM 'E' ESCAPE STAIR
SCALE: 1/2" = 1'-0"



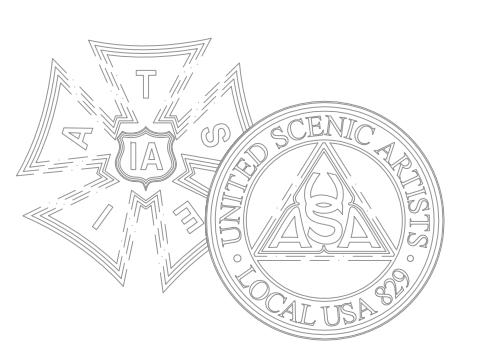
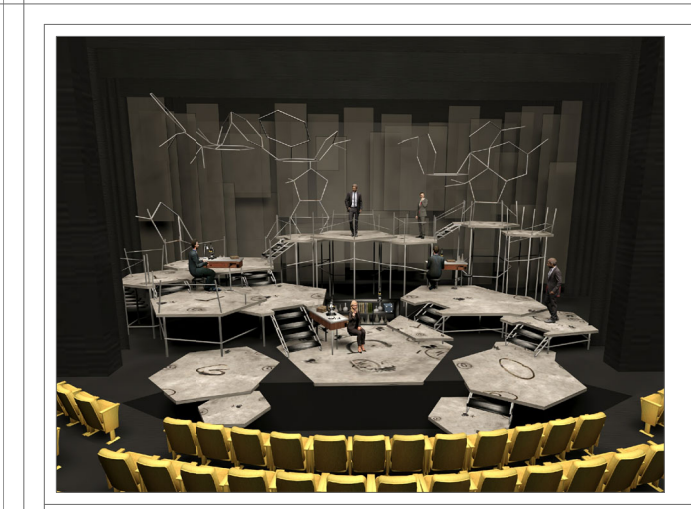
A.D. PLAYERS AT THE GEORGE THEATER
PHOTOGRAPH 51

ELEVATIONS		DWG. NO. D5
DIRECTOR: LESLIE SWACKHAMER		OF 8
DESIGNER: KIRK A. DOMER		CKD:
TECH DIRECTOR: MICHAEL MULLINS		DRAWING DATE: 11-19-20
DRAFTER: KIRK DOMER		SCALE: 1/2" = 1'-0"
APPROVED:	DATE:	





- PANEL HEIGHT FROM FLOOR:
- P1: +10'-0"
 - P2: +1'-6"
 - P3: +0'-0"
 - P4: +0'-0"
 - P5: +1'-6"
 - P6: +12'-0"
 - P7: +13'-0"
 - P8: +10'-0"
 - P9: +2'-0"
 - P10: +1'-6"
 - P11: +10'-0"
 - P12: +1'-6"
 - P13: +0'-0"
 - P14: +20'-6"
 - P15: +0'-0"
 - P16: +2'-0"
 - P17: +0'-0"
 - P18: +20'-6"
 - P19: +1'-6"
 - P20: +13'-6"
 - P21: +5'-0"
 - P22: +10'-0"
 - P23: +11'-0"
 - P24: +8'-6"
 - P25: +1'-6"
 - P26: +0'-0"
 - P27: +1'-6"
 - P28: +0'-0"
 - P29: +0'-0"
 - P30: +10'-0"
 - P31: +1'-6"



A.D. PLAYERS AT THE GEORGE THEATER

PHOTOGRAPH 51

PANEL ELEVATIONS		DWG. NO.
DIRECTOR: LESLIE SWACKHAMER		D6
DESIGNER: KIRK A. DOWER		OF 8
TECH DIRECTOR: MICHAEL MULLINS		CKD:
DRAFTER: KIRK DOWER		DATE:
APPROVED:	SCALE: 1/2" = 1'-0"	DRAWING DATE: 11-19-20